

F040

Probe 40 mil Standard

| | |
|-------------------------|---------------|
| Centers (mm/mil) | 1,00 / 40 |
| Current | 2,0 A |
| R typ | 20 mOhm |
| Temperature | -20°C...+80°C |

Spring Force (cN ±20%)

| Version | Preload | Nominal |
|----------|---------|---------|
| Standard | 40 | 80 |

Travel (mm)

| Version | Nominal | Maximum |
|-------------------|---------|----------|
| Standard | 4,3 | 6,4 |
| Pointing Accuracy | | ±0,05 mm |

Materials and Plating

| | |
|------------|----------------------------|
| Plunger | see tip style |
| Barrel | Bronze, gold plated |
| Spring | Music wire, gold plated |
| Receptacle | Nickel silver, gold plated |

Accessories

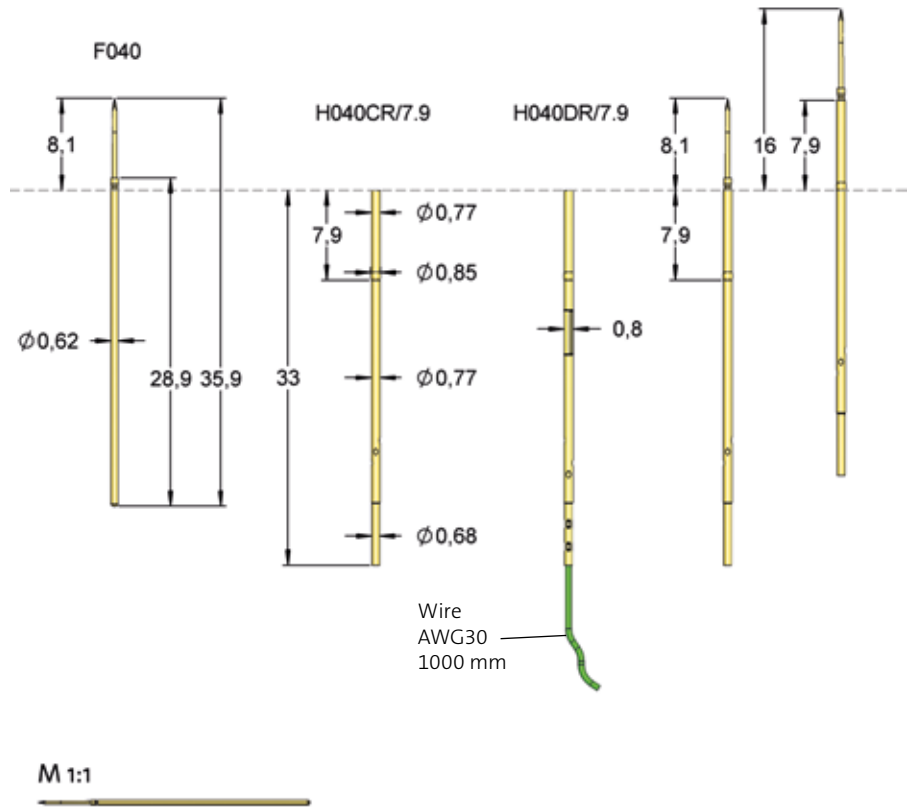
| | |
|---------------------------|------------|
| Insertion tool receptacle | FEWZ-040E0 |
| Insertion tool probe | FDWZ-050 |

Drill size (mm)

| | |
|---------------------|-------------|
| Press ring as stop | 0,80 - 0,81 |
| Press ring inserted | 0,82 - 0,83 |

Projection Height (mm)

| | |
|-------------------|------------|
| H040... with F040 | 8,1 - 16,0 |
|-------------------|------------|



| Series | Tip-Ø | Spring Force (cN) |
|----------------------------|----------|-------------------|
| F040 18 S 038 L 080 | | |
| Tip Style | Material | Plating |
| | | Version |

Material: S = Steel
Tip-Ø: 038 = 0,38 mm (e.g.)
Plating: L = Longtime Gold plated
Receptacle: Order Code according drawing

| Tip Style | Number | Material | Plating | Ø in mm | Version |
|-----------|--------|----------|---------|---------|---------|
| | 18 | S | L | 0,38 | - |
| | 29 | S | L | 0,38 | - |
| | 33 | S | L | 0,38 | - |
| | 43 | S | L | 0,38 | - |