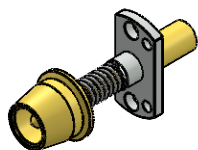


Bemerkungen/Notes:

Mechanische Spezifikationen/Mechanical Specifications

Ring contact:
 Preload: 500cN
 Nominal Force: 665cN ±20%
 Nominal Travel: 2.0mm
 Maximum Travel: 3.0mm

Internal contact:
 Preload: 50cN
 Nominal Force: 110cN ±20%
 Nominal Travel: 1.5mm
 Maximum Travel: 2.9mm



Maßstab/Scale
1:1

Alle Maße sind in mm angegeben,
 Measurements are given in mm

Product type	Material	Coating
Barrel	Beryllium copper	Gold (Au)
Insulation	PTFE	None
Contact End	Brass	Gold (Au)
Standard	PTFE	None
Flange	Brass	Nickel (Ni)
Gleitlager mit Bund	POM	None
Standard	Stainless steel	None
Contact Cage	Beryllium copper	Gold (Au)
Contact Head	Beryllium copper	Gold (Au)
Assembly		

ISO16016 NOTE, PROPRIETARY AND CONFIDENTIAL:

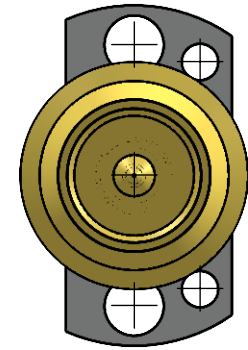
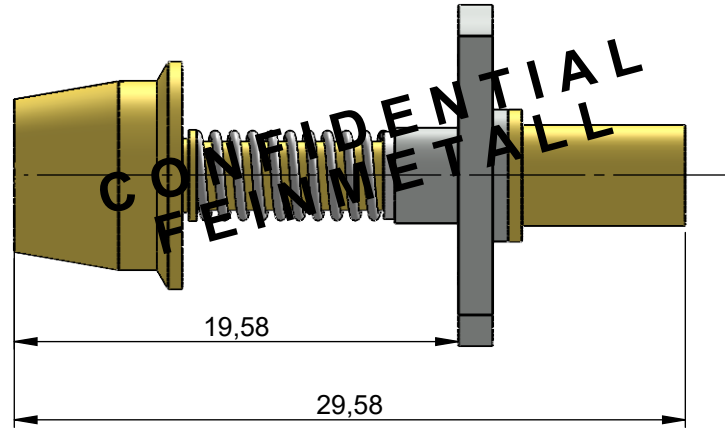
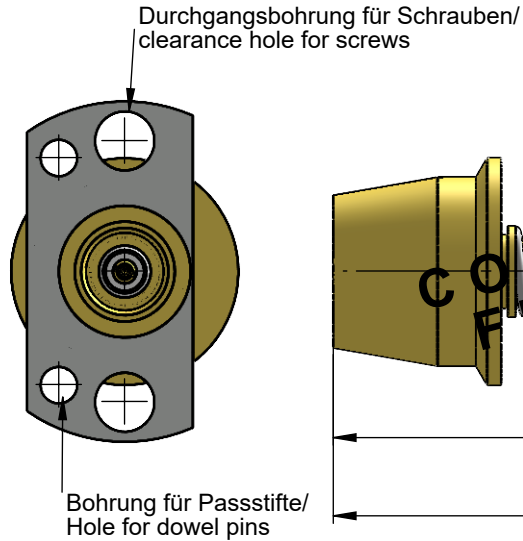
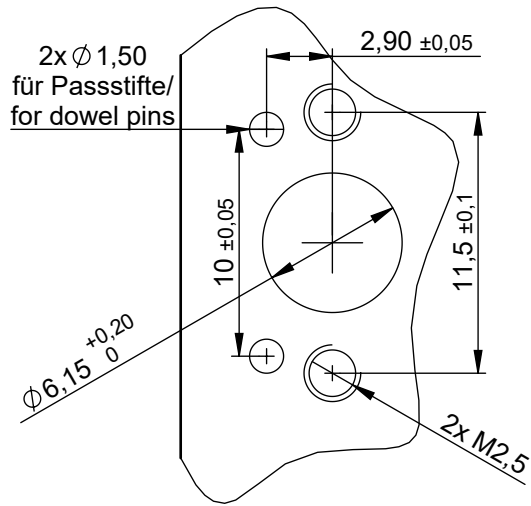
Any information contained in this drawing is our sole property and is under copyright protection. It may be used exclusively in connection with a business relationship with us, and must neither be copied nor otherwise reproduced nor made available to third parties without our prior written permission.

Any violation will give rise to damage claims and is a criminal offense. FEINMETALL GMBH

 ISO 8015, ISO 2768-mH	Linear Dimensions < 0,5mm ± 0,02mm	Sheet: 1 of: 2
	Radius and Chamfer < 0,5mm ± 0,05mm	
Angular Dimension < 10° ± 0,5°	Material: Standard: Preliminary product:	Coating: None Surface: mm²

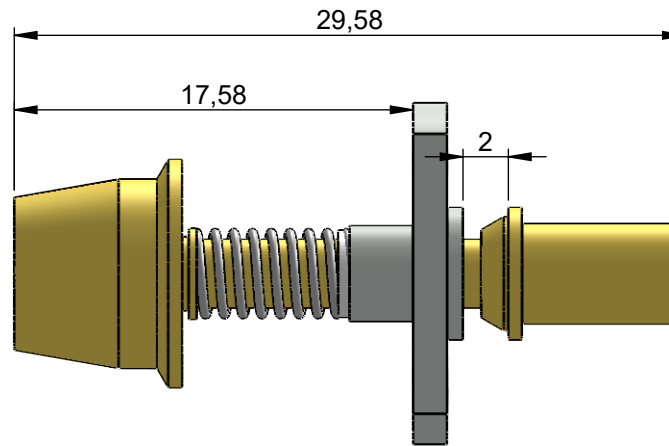
<table border="1"> <tr> <td></td> <td>Date</td> <td>Name</td> </tr> <tr> <td>Drawn</td> <td>27.07.22</td> <td>AI</td> </tr> <tr> <td>Checked</td> <td></td> <td></td> </tr> <tr> <td>Job Number:</td> <td></td> <td></td> </tr> </table>		Date	Name	Drawn	27.07.22	AI	Checked			Job Number:			Product type: Radio Frequency Probe, BNC-Female Product name: HF86-0003 Product No.: 1106447 Project: E210175 Replaces:	Index: B Replaced by:
	Date	Name												
Drawn	27.07.22	AI												
Checked														
Job Number:														
B 500000008003 23.11.22 AI Stat. Change Date Name Origin: E210175A FEINMETALL Contact Technologies														

**Bohrvorschlag für die Montageplatte/
Drilling recommendation for mounting plate**



Prototype

**Kontaktstiftposition nach Nennhub/
Contact position of probe after nominal travel**



Bemerkungen/Notes:

Elektrische Spezifikation/Electrical Specification

Nominale Impedanz/Nominal Impedance:
50Ω

Nominaler Frequenzbereich/Nominal Frequency Range:
bis/to 6GHz

Insertion Loss:
0,25 dB max. (von/from DC bis/to 3GHz)
0,30 dB max. (von/from 3GHz bis/to 6GHz)

Return Loss:
17 dB min. (von/from DC bis/to 3GHz)
16 dB min. (von/from 3GHz bis/to 6GHz)

Nennspannung/Rated Voltage:
30 Vrms max.

Temperatureinsatzbereich/Operating Temperature:
-20°C...+80°C

Alle Maße sind in mm angegeben,
Measurements are given in mm

ISO16016 NOTE, PROPRIETARY AND CONFIDENTIAL:

Any information contained in this drawing is our sole property and is under copyright protection. It may be used exclusively in connection with a business relationship with us, and must neither be copied nor otherwise reproduced nor made available to third parties without our prior written permission. Any violation will give rise to damage claims and is a criminal offense. FEINMETALL GMBH



ISO 8015,
ISO 2768-mH

Linear Dimensions < 0,5mm	± 0,02mm	Sheet: 2
Radius and Chamfer < 0,5mm	± 0,05mm	of: 2
Angular Dimension < 10°	± 0,5°	

Scale:
3:1

Material:
Standard:
Preliminary product:

Coating: None
Surface: mm²

Product type: Radio Frequency Probe, BNC-Female

Product name: HF86-0003


Product No.: 1106447

Index:
B

Project:
E210175

Replaces:

Replaced by:

	Date	Name	
Drawn	27.07.22	AI	
Checked			
Job Number:			
 FEINMETALL Contact Technologies			
Origin:			
E210175A			
Stat.	Change	Date	Name
B	500000008003	23.11.22	AI