

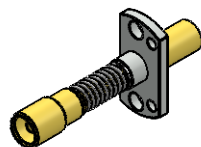
**CONFIDENTIAL
FEINMETALL**

Bemerkungen/Notes:

Mechanische Spezifikationen/Mechanical Specifications

Ring contact:
Preload: 500cN
Nominal Force: 665cN ±20%
Nominal Travel: 2.0mm
Maximum Travel: 3.0mm

Internal contact:
Preload: 50cN
Nominal Force: 110cN ±20%
Nominal Travel: 1.5mm
Maximum Travel: 2.9mm



Maßstab/Scale 1:1

Alle Maße sind in mm angegeben,
Measurements are given in mm

Product type	Material	Coating
Barrel	Beryllium copper	Gold (Au)
Insulation	PTFE	None
Contact End	Brass	Gold (Au)
Standard	PTFE	None
Flange	Brass	Nickel (Ni)
Gleitlager mit Bund	POM	None
Standard	Stainless steel	None
Contact Cage	Beryllium copper	Gold (Au)
Contact Head	Beryllium copper	Gold (Au)
Assembly		

ISO16016 NOTE, PROPRIETARY AND CONFIDENTIAL:

Any information contained in this drawing is our sole property and is under copyright protection. It may be used exclusively in connection with a business relationship with us, and must neither be copied nor otherwise reproduced nor made available to third parties without our prior written permission.

Any violation will give rise to damage claims and is a criminal offense. FEINMETALL GMBH



ISO 8015,	Linear Dimensions < 0,5mm	± 0,02mm	Sheet: 1
ISO 2768-mH	Radius and Chamfer < 0,5mm	± 0,05mm	of: 2
	Angular Dimension < 10°	± 0,5°	

Scale:
4:1

Material:
Standard:
Preliminary product:

Coating: None
Surface: mm²

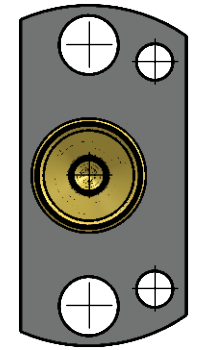
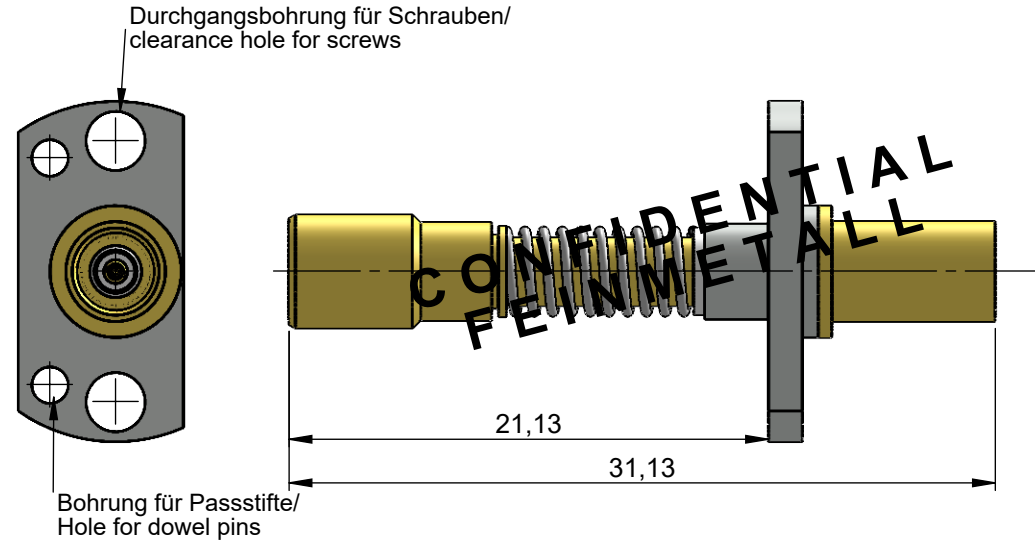
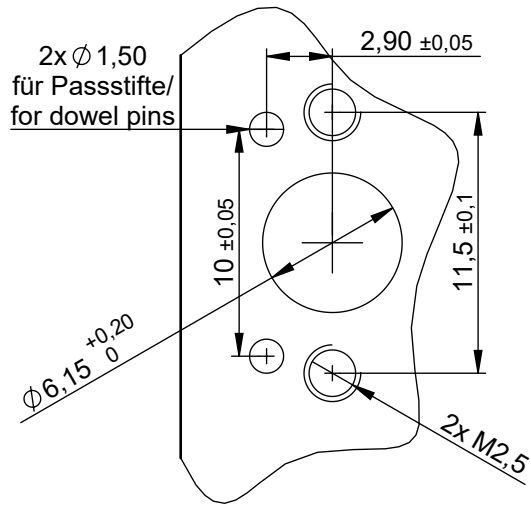
	Date	Name
Drawn	25.07.22	AI
Checked		
Job Number:		
B	500000008003	23.11.22
Stat.	Change	Date
		Name
		Origin:
		E210175B



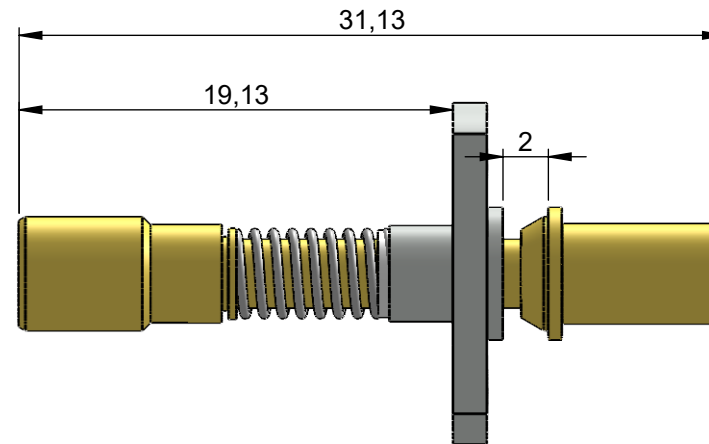
Product type:	Radio Frequency Probe, SMB-Male
Product name:	HF86-0002
Product No.:	1106446
Project:	E210175
Replaces:	
Replaced by:	
Index:	B

**Bohrvorschlag für die Montageplatte/
Drilling recommendation for mounting plate**

Prototype



**Kontaktstiftposition nach Nennhub/
Contact position of probe after nominal travel**



Bemerkungen/Notes:

Elektrische Spezifikation/Electrical Specification

Nominale Impedanz/Nominal Impedance:
50Ω

Nominaler Frequenzbereich/Nominal Frequency Range:
bis/to 6GHz

Insertion Loss:
0,40 dB max. (von/from DC bis/to 3GHz)
0,50 dB max. (von/from 3GHz bis/to 6GHz)

Return Loss:
14 dB min. (von/from DC bis/to 3GHz)
12 dB min. (von/from 3GHz bis/to 6GHz)

Nennspannung/Rated Voltage:
30 Vrms max.

Temperatureinsatzbereich/Operating Temperature:
-20°C...+80°C

Alle Maße sind in mm angegeben,
Measurements are given in mm

ISO16016 NOTE, PROPRIETARY AND CONFIDENTIAL:

Any information contained in this drawing is our sole property and is under copyright protection. It may be used exclusively in connection with a business relationship with us, and must neither be copied nor otherwise reproduced nor made available to third parties without our prior written permission. Any violation will give rise to damage claims and is a criminal offense. FEINMETALL GMBH



ISO 8015,	Linear Dimensions < 0,5mm	± 0,02mm	Sheet: 2
ISO 2768-mH	Radius and Chamfer < 0,5mm	± 0,05mm	of: 2
	Angular Dimension < 10°	± 0,5°	

Scale:

3:1

Material:

Standard:

Preliminary product:

Coating: None

Surface: mm²

Product type: Radio Frequency Probe, SMB-Male

Product name: HF86-0002

Product No.: 1106446


Index:

B

Project:
E210175

Replaces:

Replaced by:

	Date	Name	
Drawn	25.07.22	AI	
Checked			
Job Number:			
 FEINMETALL Contact Technologies			
Origin:			
E210175B			
Stat.	Change	Date	Name
B	500000008003	23.11.22	AI