

PUSH BACK PROBES

VF4

Push Back Probe 157 mil Round Tip Styles

Centers (mm/mil)	4,00 / 157
Contin. current	10,0 A
Current (Switch Receptacle)	1,0 A
R typ	30 mOhm
Temperature	-45°C...+100°C

Spring Force (cN ±20%)

Version	Preload	Nominal
Standard	80	300
Standard	100	500
Standard	300	1000
Standard	300	1500
Standard	300	2000
Standard	300	2500

Travel (mm)

Version	Nominal	Maximum
Standard	5,0	5,5
Thread (M)		2,5x0,35
Wrench Size		2,5

Materials and Plating

Plunger	see Tip Style
Barrel	Brass, gold plated
Spring	Music wire, gold plated
Receptacles	Brass, gold plated

Accessories

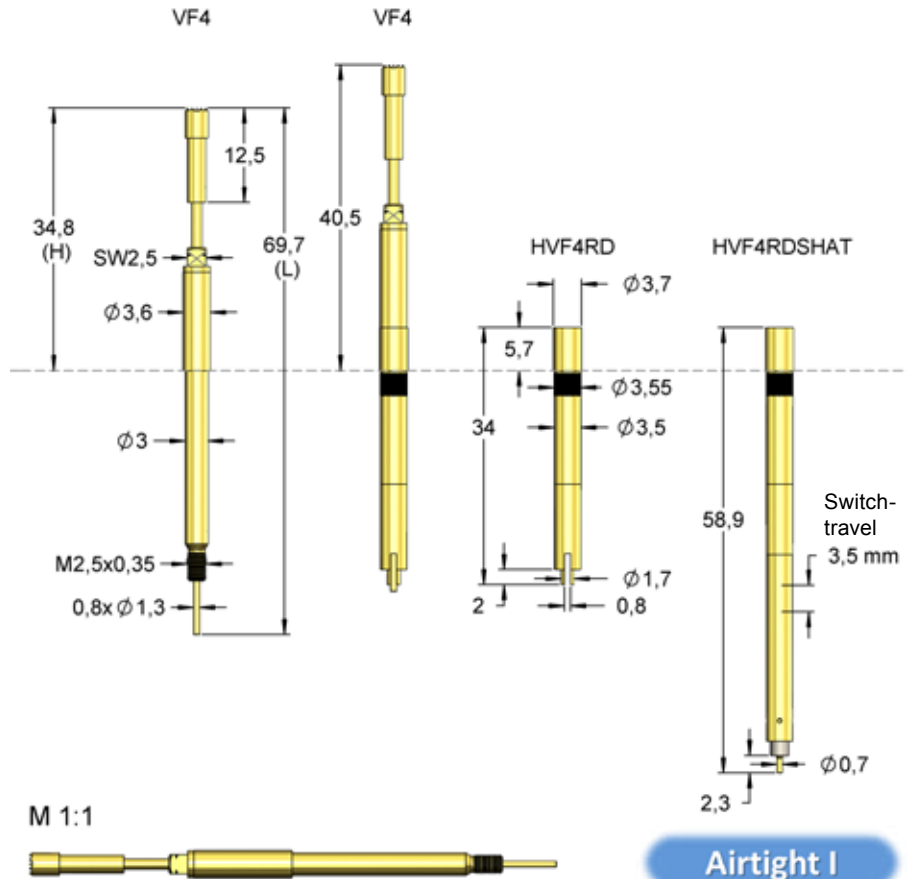
Alignment tool receptacle	FAWZVF4
Screw-in tool probe	FWZVF4S1 (T) max. Ø3,1 mm
Screw-in tool probe	FWZVF4 (T) max. Ø4,0 mm

Drill Size (mm)

Receptacle without knurl	3,48 - 3,49
Receptacle with knurl	3,52 - 3,55

Series	Tip-Ø	Spring Force (N)
VF4	05	B 230 G 15
	Tip Style	Material Plating Version

Material: B = BeCu,
Tip-Ø: 230 = 2,30 mm (e.g.)
Plating: G = Gold plated,
Receptacle: Order code according drawing



For the permissible leakage rate see information in the technical introduction on page 12. The receptacle HVF4SHATS1 is available with a switching travel of 4.5 mm. All receptacles also available without knurl (RD).

Tip Style	Number	Material	Plating	Ø in mm	Version
	05	B	G	2,30	-
	05	B	G	3,00	-
	05	B	G	4,00	-
	06	B	G	2,40	-
	06	B	G	3,00	-
	06	B	G	4,00	-
	06	B	G	4,80	-
	11	B	G	1,80	-
	11	B	G	2,00	-
	11	B	G	2,30	-
	11	B	G	3,00	-
	11	B	G	3,70	-
	16	B	G	1,00	-
	16	B	G	1,40	-
	16	B	G	1,80	-
	16	B	G	2,00	-
	16	B	G	2,30	-
	17	B	G	3,00	-
	17	B	G	4,00	-

PUSH BACK PROBES

VF4

Push Back Probe 157 mil Spade Tip Styles

Centers (mm/mil)	4,00 / 157
Contin. current	10,0 A
Current (Switch Receptacle)	1,0 A
R typ	30 mOhm
Temperature	-45°C...+100°C

Spring Force (cN ±20%)

Version	Preload	Nominal
Standard	80	300
Standard	100	500
Standard	300	1000
Standard	300	1500
Standard	300	2000
Standard	300	2500

Travel (mm)

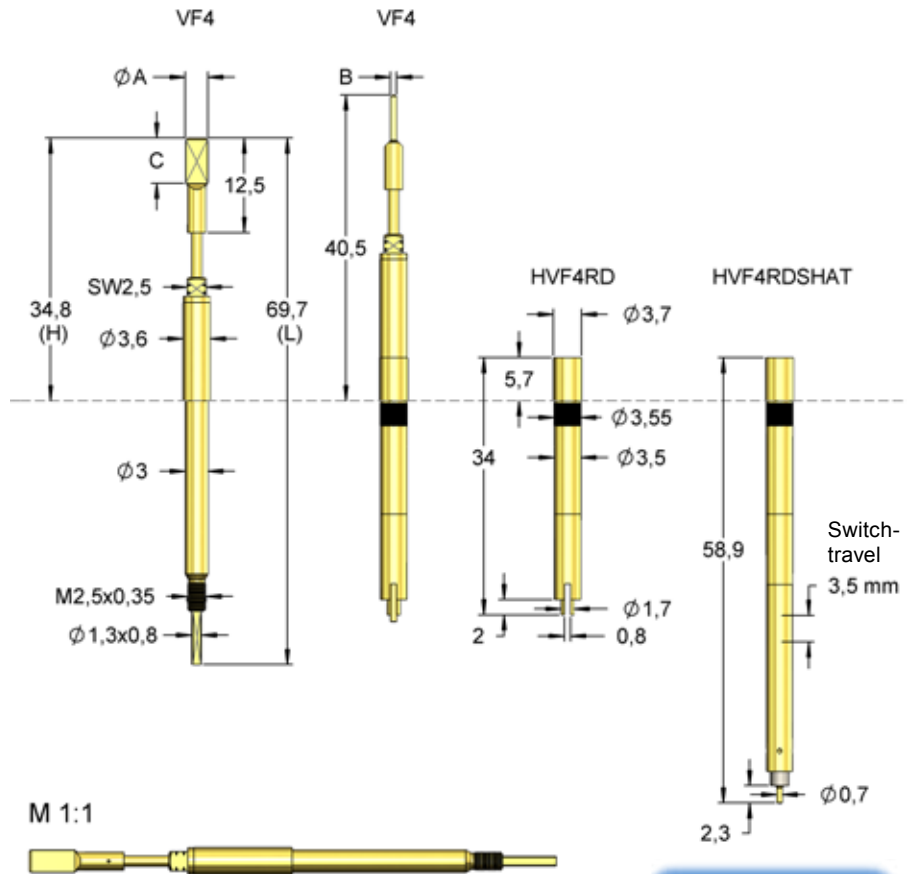
Version	Nominal	Maximum
Standard	5,0	5,5
Thread (M)		2,5x0,35
Wrench Size		2,5

Materials and Plating

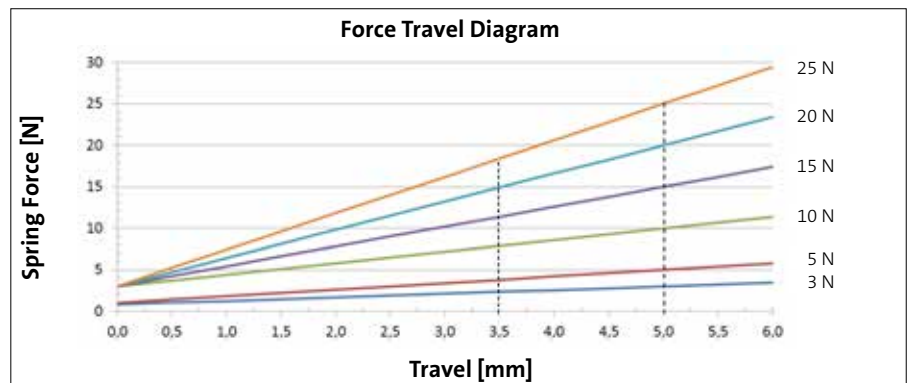
Plunger	see Tip Style
Barrel	Brass, gold plated
Spring	Music wire, gold plated
Receptacles	Brass, gold plated

Drill Size (mm)

Receptacle without knurl	3,48 - 3,49
Receptacle with knurl	3,52 - 3,55



For the permissible leakage rate see information in the technical introduction on page 12. The receptacle HVF4SHATS1 is available with a switching travel of 4.5 mm. All receptacles also available without knurl (RD).



Order Code	Number	Ø A	B	C	H	L	Version	Screw-in tool
VF481B0001Gxx	81	2,00	0,80	6,00	34,80	69,70	-	FWZVF4S1 (T)
VF483B0009G15	83	2,20	1,30	6,00	34,80	69,70	-	FWZVF4S1 (T)
VF483B0008G20	83	2,25	1,40	6,00	34,80	69,70	-	FWZVF4S1 (T)
VF483B0003Gxx	83	2,25	1,60	6,00	34,80	69,70	-	FWZVF4S1 (T)
VF483B0005Gxx	83	2,25	1,80	6,00	34,80	69,70	-	FWZVF4S1 (T)
VF483B0006Gxx	83	2,50	0,60	6,00	34,80	69,70	-	FWZVF4S1 (T)
VF483B0001Gxx	83	2,50	0,80	6,00	34,80	69,70	-	FWZVF4S1 (T)
VF483B0002Gxx	83	3,00	0,80	6,00	34,80	69,70	-	FWZVF4S1 (T)
VF483B0004Gxx	83	3,00	1,60	6,00	34,80	69,70	-	FWZVF4S1 (T)

PUSH BACK PROBES

VF4

Push Back Probe 157 mil, Elastic Tip Style

Centers (mm/mil)	4,00 / 157
Contin. current	10,0 A
Current (Switch Receptacle)	1,0 A
R typ	30 mOhm
Temperature	-45°C...+100°C

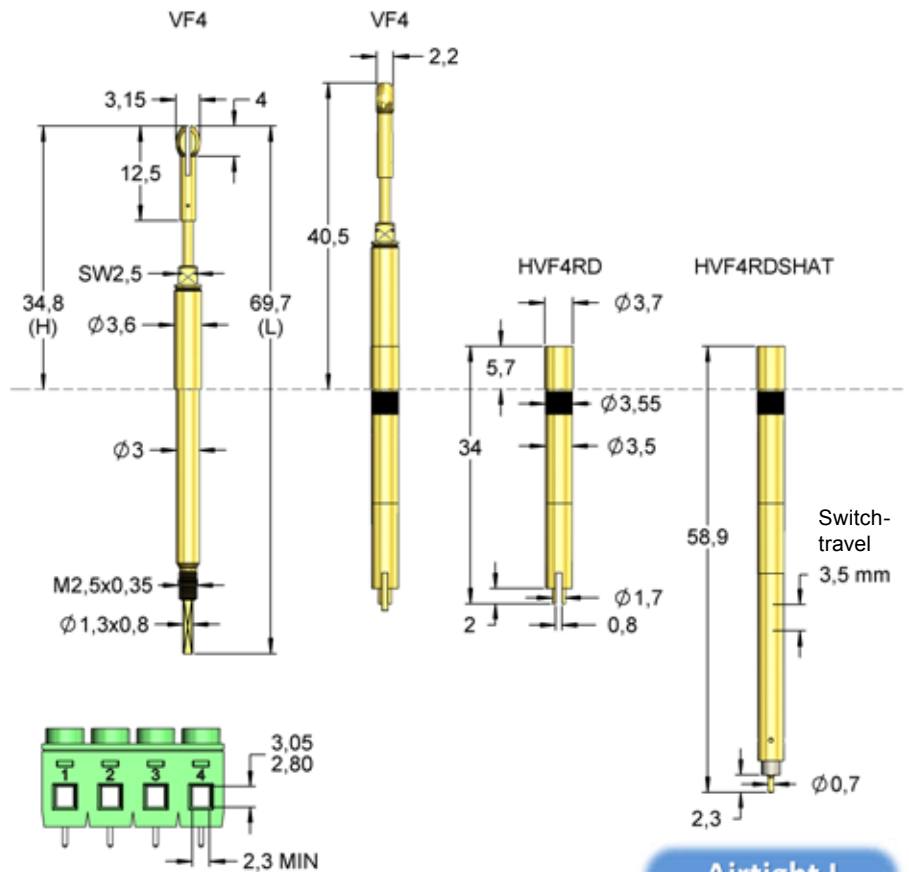
Spring Force (cN ±20%)		
Version	Preload	Nominal
Standard	300	1500

Travel (mm)		
Version	Nominal	Maximum
Standard	5,0	5,5
Thread (M)	2,5x0,35	
Wrench Size	2,5	

Materials and Plating	
Plunger	see Tip Style
Barrel	Brass, gold plated
Spring	Music wire, gold plated
Receptacles	Brass, gold plated

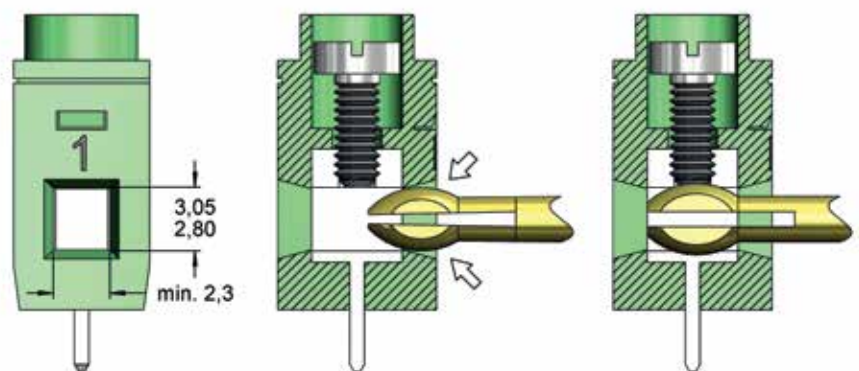
Accessories	
Alignment tool receptacle	FAWZVF4
Screw-in tool probe	FWZVF4 (T) max. Ø4,0 mm

Drill Size (mm)	
Receptacle without knurl	3,48 - 3,49
Receptacle with knurl	3,52 - 3,55



Airtight I

The elastic twist proof tip style 22 has been developed for contacting PCB-connectors. This tip styles makes sure that the contact elements within the connector cavity are contacted reliably. This tip style is currently available for connector MSTB 2,5/2-ST-5,08. The receptacle HVF4SHATS1 is available with a switching travel of 4.5 mm. All receptacles also available without knurl (RD).



Order Code	Number	Ø A	B	C	H	L	Version	Screw-in tool
VF422B0001G15	22	3,15	2,20	4,00	34,80	69,70	-	FWZVF4; FWZVF4T