

# SWITCH PROBES

## F899 (NO)

**NEW**

### Pneumatic Micro Switch Probe Closer (Off-On-Off)

<b>Centers (mm/mil)</b>	6,50 / 256
<b>Contin. current</b>	3,0 A
<b>Current (Switch)</b>	1,0 A
<b>R<sub>typ</sub></b>	500 mOhm
<b>Temperature</b>	-45°C...+100°C

#### Technical Specifications

Operating pressure	5-7 bar
	Change 75 cN / bar
Operating medium	Compressed air (dried & filtered)
Allowed leakage rate	5 cm <sup>3</sup> /min.

	Working travel [mm]	Contact force at 6 bar [cN]
Switch point 1	3,0 ±0,3	
Nominal	3,5	350 ±30%
Switch point 2	4,0 ±0,3	
Maximum	4,9	

#### Materials and Plating

Plunger tip	Synthetic, unplated
Barrel	Brass, gold plated Synthetic, unplated
Spring	Music wire, silver plated

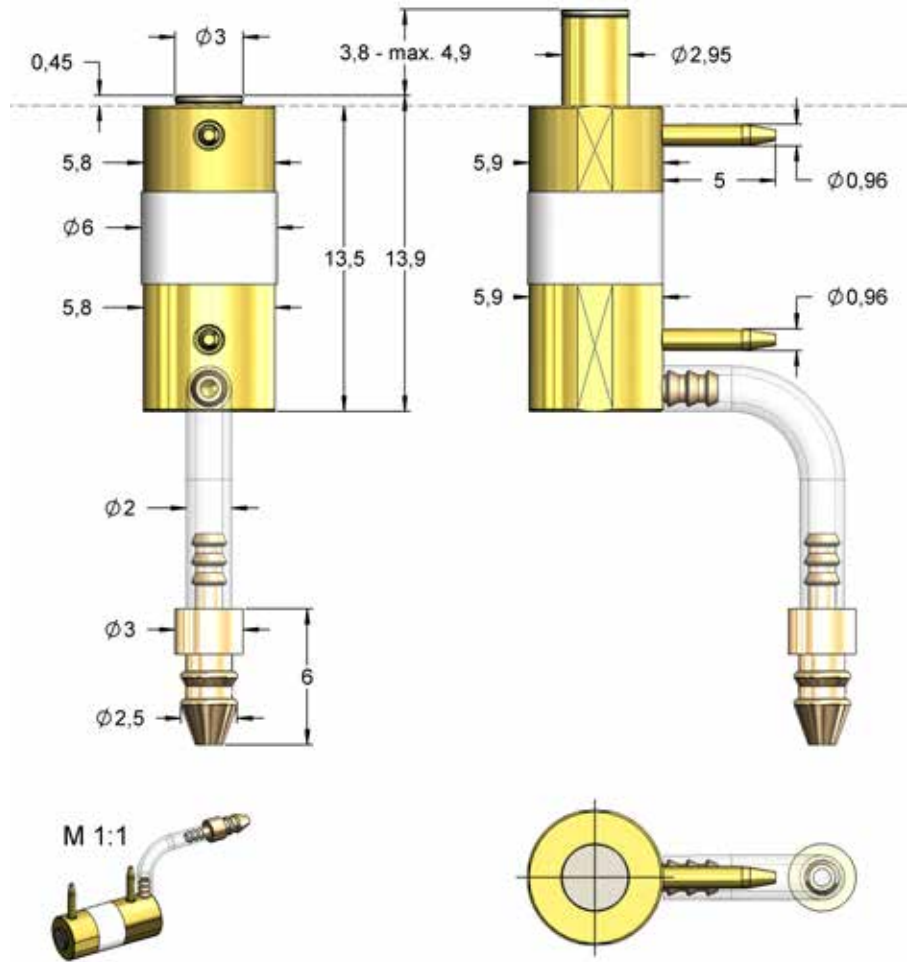
#### Accessories

connection plug	2104456
-----------------	---------

Suitable connection plug for lateral pins Ø0.98 mm included in scope of delivery. PVC wire AWG 21, blue, length 550mm



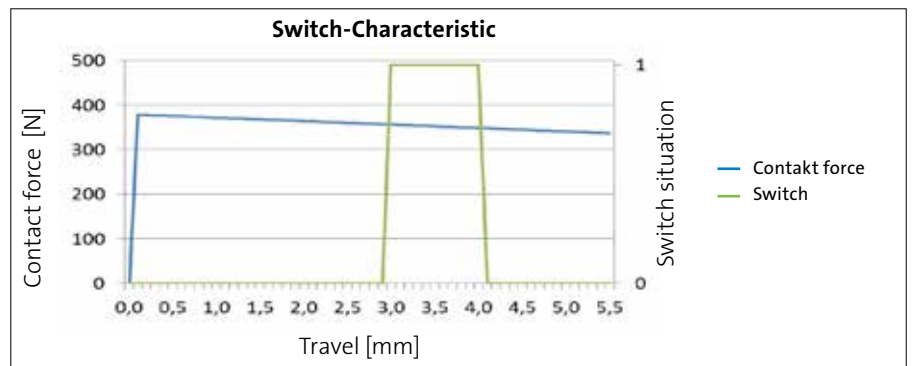
\* The S1 version has a 4.60 mm longer plunger head.



#### Application and Mounting

Special solution for a pneumatic presence test at limited space. An integrated switch function allows to detect the exact position of the test item. The electrical connection can be made via two plugs (crimp connection SMF-01T-1.0) on the side pins.

For an adjustable position of the F899 in axial direction a lateral setscrew (M2, max. torque 8 cNm) can be used. For a fix and secure position the F899 can be mounted by an axial setscrew (M8).



Order code	Tip Style	Material	Ø in mm	Plating	Total Length (inactive)	Projection Height (inactive)	Version
F89917K300U350		K	3,00	U	13,90	0,45	-
F89917M230N350S1		M	2,30	N	18,50	5,05	S1 *
F89917M300N350S1		M	3,00	N	18,50	5,05	S1 *