

SWITCH PROBES

F88890S1101U200S05 (NO)

Switch Probe with Ball Head, Threaded



Centers (mm/mil)	7,00 / 275
Contin. current	5,0 A
Current (Switch)	1,0 A
R typ	25 mOhm
Temperature	-45°C...+100°C

Spring Force (cN ±20%)		
Version	Preload	Nominal
Standard	100	200

Travel (mm)		
Version	Nominal	Maximum
Standard	1,0	1,0
Switch Travel (mm)		0,5
Thread (M)		6,0x0,75
Wrench Size		5,0

Materials and Plating	
Ball	Steel, unplated
Barrel	Brass, gold plated
Spring	Music wire, gold plated
Receptacles	Brass, gold plated

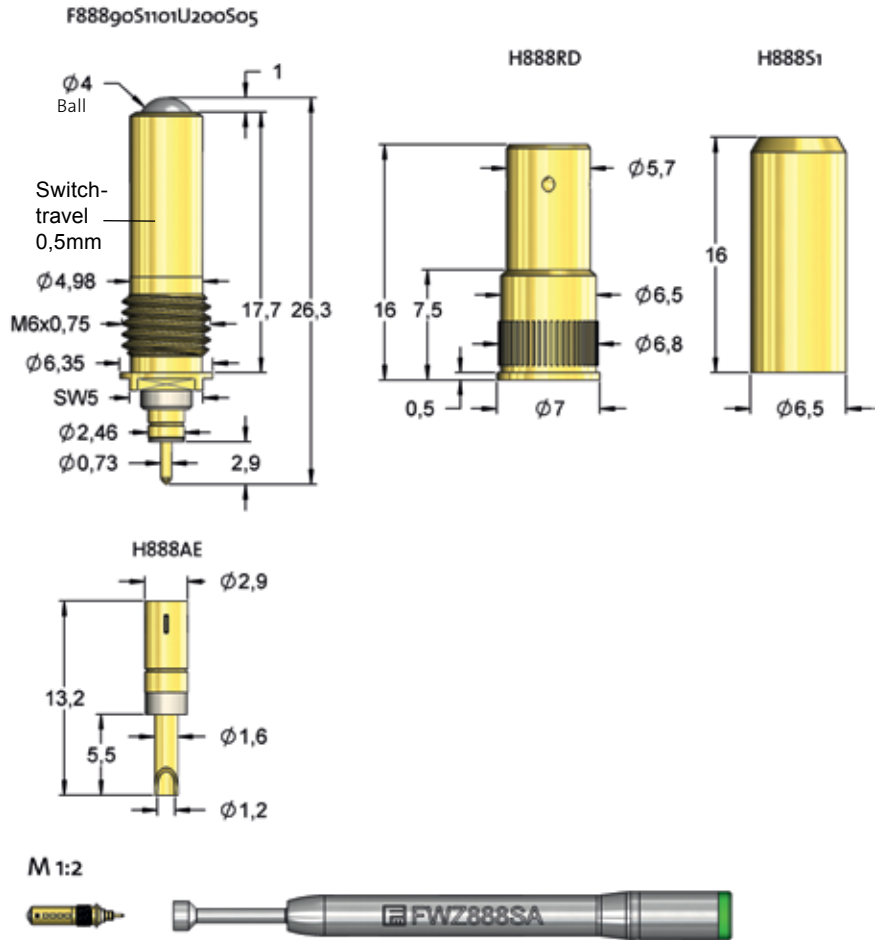
Accessories	
Insertion tool receptacle	FEWZ-888
Screw-in tool	FWZ888
Screw-in tool w. light indicator	FWZ888SA
Connection element	H888AE

Drill Size (mm)	
F88890S1101U200S05	M6x0,75
H888RD	6,55 - 6,70
H888S1	6,50

Projection Height (mm)	max.
F88890S1101U200S05	1,00

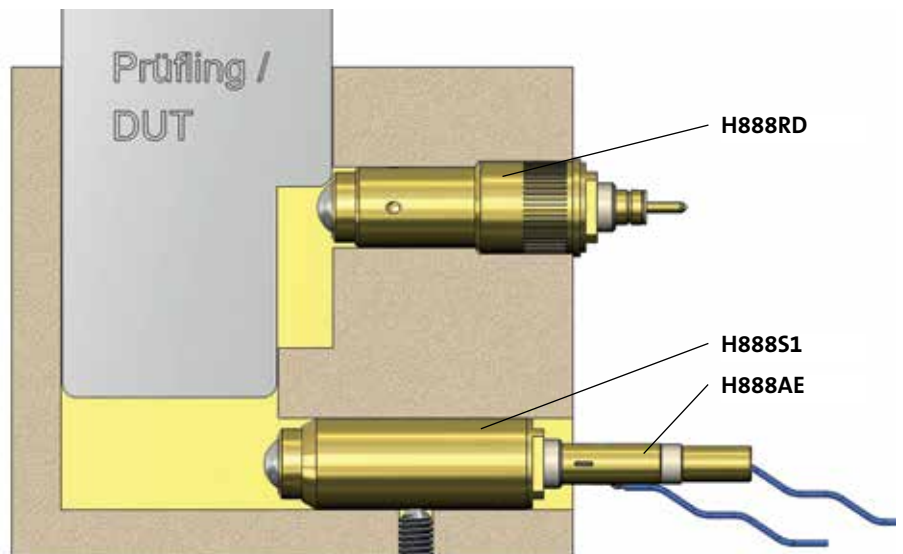
Series	Number	Spring Force (cN)
F888	90	200
	S	S05
	1101	
	U	

Material:	S = Steel
Number:	
1. Digit	0 = Switch not galvanically isolated 1 = Switch galvanically isolated
2. Digit	2 = Without switch 0 = Without thread 1 = With thread
3.+4. Digit	Running number
Plating:	U = Unplated
Version:	S05 = 0,5mm Switch travel (e.g.)
Receptacle:	Order code according drawing



Due to a rolling ball as contact element probes of the series F888 are insensitive against lateral forces. A common application is the lateral presence test of connector housings in test modules. The switch circuit of this probe is galvanically isolated against the barrel.

The same probe just with a larger collar of 8,4 mm instead of 6,35 mm is available by order code **F88890S1103U200S05**.



Order code	Tip Style	Number	Material	Ø in mm	Plating	Version
F88890S1101U200S05		90	S	4,00	U	S05