

COAXIAL PROBES

F840

Kelvin Probe 275 mil Plug-in

Centers (mm/mil)	7,00 / 275
Current (Circular)	30,0 A
Current (Internal)	5,0 A
Frequency	-
Temperature	-20°C...+80°C

Spring Force (cN ±20%)

	Preload	Nominal
Total		1780
Internal Cont.	200	280
Circular Cont.	100	1500

Travel (mm)

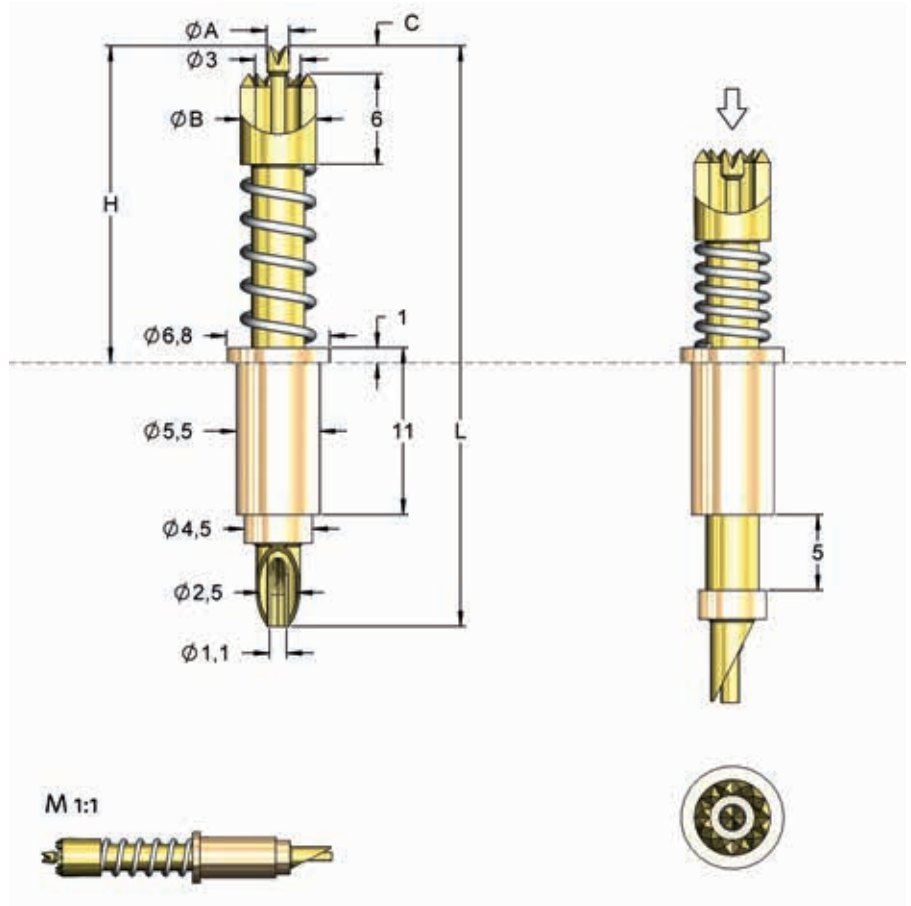
	Nominal	Maximum
Internal Cont.	1,9	6,4
Circular Cont.	5,0	5,5


Materials and Plating

Internal Cont.	Stahl, longtime gold plated
Circular Cont.	Stahl, longtime gold plated
Barrel	Brass, unplated
Spring Internal Cont.	Music Wire, silver plated
Spring Circular Cont.	Music Wire, silver plated

Drill Size (mm)

Barrel-Ø	5,49 -5,51
----------	------------



Order Code	Sense Pin	Tip Style	Ø A	Ø B	C	H	L	Version
F84014S150L1780		14	1,50	5,00	1,85	21,00	38,85	-