

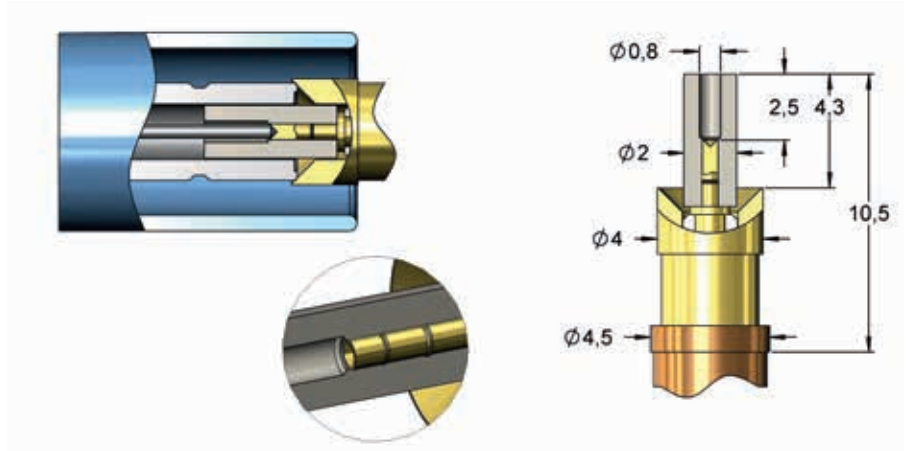


## F822 Special Versions

### Fakra Connector Contacting

#### Position- and Straightness Test with Insulation Cap

This probe has a leading insulating cap at the inner contact for testing position and straightness of the connector pin. Bended pins or pins with wrong position do not enter the insulating cap and are not able to contact the inner probe plunger. Inner and outer conductor of the Kelvin probe are spring loaded. Receptacles and probe dimensions please see F822.

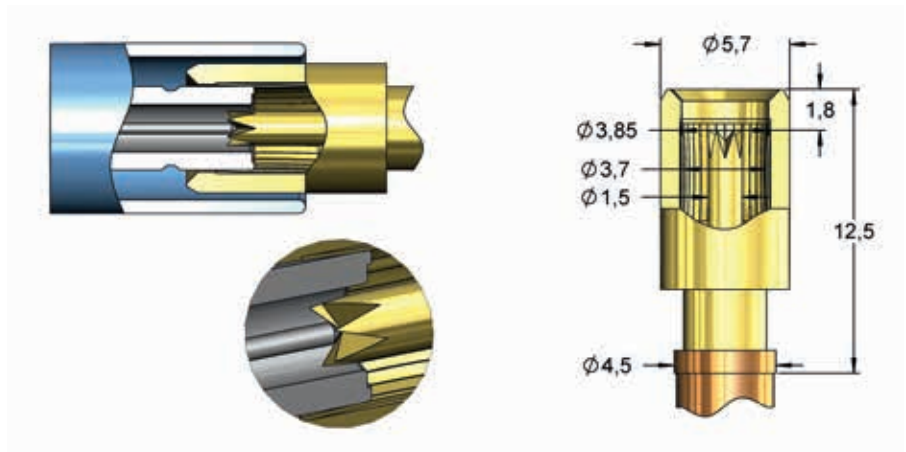


Order code: F82205S0007L650IK25

### Fakra Connector Contacting

#### Lamella Socket for Optimal Ground Contacting

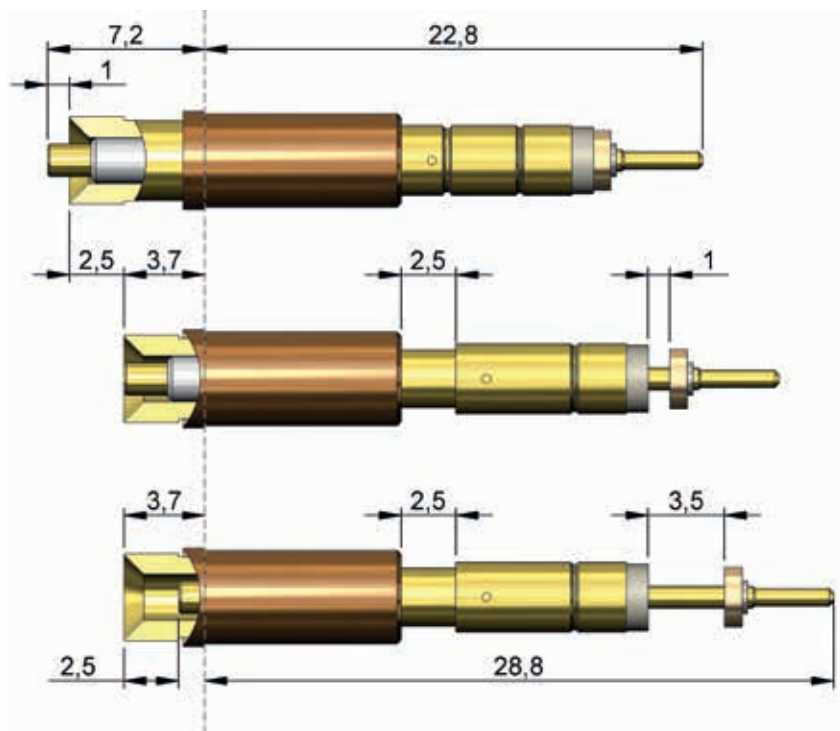
This probe is provided with a bezel at the inner and outer contact to center the connector. The connector ground contacting is securely made by a specific lamella socket, which tolerates deviations of position and angle. Inner and outer conductor of the Kelvin probe are spring loaded. Receptacles and probe dimensions please see F822.



Order code: F82241S0008L650S1

### Application Note F822

Depending on the shape of the DUT the travel of inner contact and circular contact might be different. As soon as the circular contact is pushed in, the inner contact is carried along. This might lead to other travels and spring forces than the nominal values.



# COAXIAL PROBES

## F822

### Kelvin Probe 217 mil Plug-in

<b>Centers (mm/mil)</b>	5,50 /217
<b>Current (Circular)</b>	6,0 A
<b>Current (Internal)</b>	1,6 A
<b>Frequency</b>	1,2 GHz
<b>Temperature</b>	-40°C...+200°C

#### Spring Force (cN ±20%)

	Preload	Nominal
Total	-	650
Internal Cont.	100	200
Circular Cont.	250	450

#### Travel (mm)

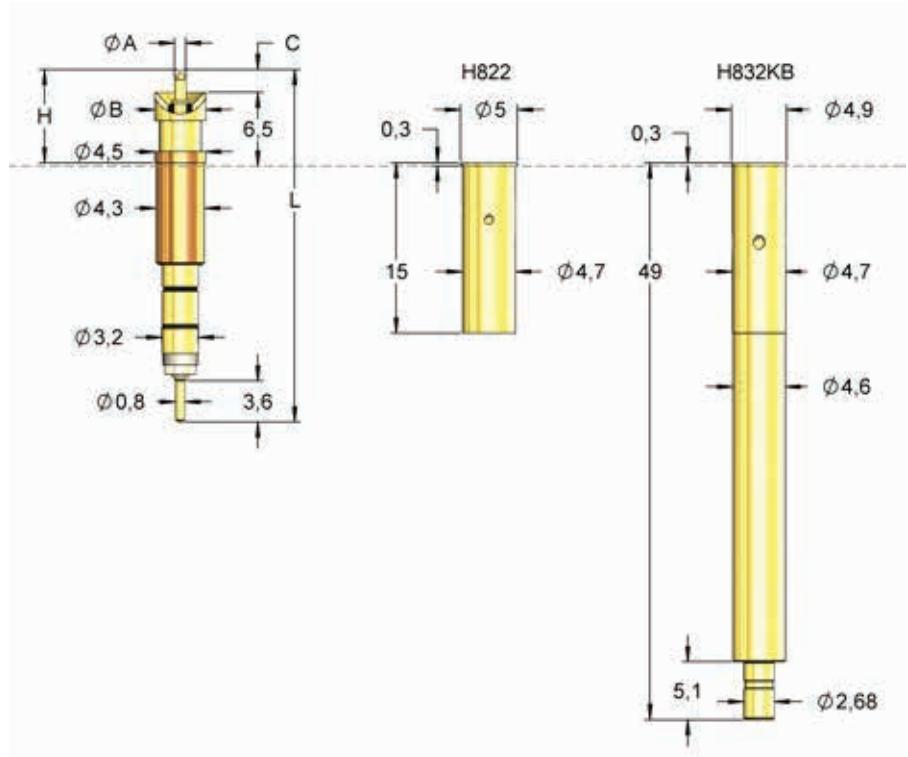
	Nominal	Maximum
Internal Cont.	3,0	3,5
Circular Cont.	2,0	2,6

#### Materials and Plating

Internal Cont.	Steel, longtime gold plated
Circular Cont.	BeCu, gold plated
Barrel	Bronze, unplated
Spring Internal Cont.	Stainless steel, unplated
Spring Circular Cont.	Stainless steel, unplated
Receptacle	Brass, gold plated

#### Accessories

Insertion tool receptacle	FEWZ-822E0
---------------------------	------------



#### Drill Size (mm)

Receptacle without knurl	4,68 - 4,69
Insulating receptacle	5,56 - 5,57

#### Projection Height (mm)

H8x2... with F822	H + 0,3
-------------------	---------

Order Code	Sense Pin	Tip Style	Ø A	Ø B	C	H	L	Version
F82201S0018L650		01	0,80	3,20	0,00	8,60	31,40	-
F82202S0016L650		02	1,50	4,00	1,00	7,20	30,00	-
F82203S0011L650		03	0,50	4,00	2,00	8,20	31,00	-
F82203S0001L650		03	1,00	4,00	2,00	8,20	31,00	-
F82203S0014L650		03	1,00	4,00	3,50	9,70	32,50	-
F82203S0003L650		03	1,00	4,50	2,00	8,20	31,00	-
F82203S0015L650		03	1,00	4,50	3,50	9,70	32,50	-
F82205S0007L650IK25		05	0,60	4,00	-2,50	10,50	33,30	IK25
F82205S0001L650		05	1,00	4,00	2,00	8,20	31,00	-
F82205S0003L650		05	1,00	4,50	2,00	8,20	31,00	-
F82205S0005L650		05	1,50	4,00	4,50	10,70	33,50	-
F82209S0016L650		09	1,50	4,00	1,00	7,20	30,00	-
F82211S0012L650		11	0,64	4,50	3,50	9,70	32,50	-
F82217S0006L650		17	0,64	4,00	2,00	8,20	31,00	-
F82217S0016L650		17	1,50	4,00	1,00	7,20	30,00	-
F82239S0001L650		39	1,00	4,00	2,00	8,20	31,00	-
F82241S0008L650S1		41	1,50	5,70	-1,80	12,50	35,30	S1

# COAXIAL PROBES

## Accessories for Coaxial Probes F822 / F832

### Mounting option 1

**Order code: H822**

Plug-in receptacle for soldering suitable for F822

**Order code: H832**

Threaded receptacle for soldering suitable for F832

**Order code: H832RD**

Threaded receptacle with knurl for soldering suitable for F832

**Order code: H822AE**

Connection element plug-in for soldering suitable for F822/F832

### Mounting option 2

**Order code: H832KB**

Threaded coax combi receptacle with SSMB Mini connector suitable for F822/F832

**Order code: H822AE1**

Connection element with pre-assembled coaxial cable RG 174 and **straight** SSMB Mini connector  
Impedance: 50 Ohm  
Standard length: **600 mm**

**Order code: H822AE2**

Connection element with pre-assembled coaxial cable RG 174 and **angled** SSMB Mini connector  
Impedance: 50 Ohm  
Standard length: **600 mm**

**Order code: H822AE3**

Connection element with pre-assembled coaxial cable RG 174 and **straight** SSMB Mini connector  
Impedance: 50 Ohm  
Standard length: **2000 mm**

### Additional option

**Order code: H822IS**

Plug-in insulating receptacle for insulated mounting into conductive material suitable for H822... for drill holes  $\varnothing$  5,55 mm

### Mounting option 1

