

COAXIAL PROBES

F800

NEW

Kelvin Probe 75 mil Threaded, double plunger

Centers (mm/mil)	1,90 / 75
Current (Circular)	2,0 A
Current (Internal)	1,0 A
Temperature	-20°C...+80°C

Spring Force (cN ±20%)

	Preload	Nominal
Internal Cont.	10	50
Circular Cont.	-	Starr

Travel (mm)

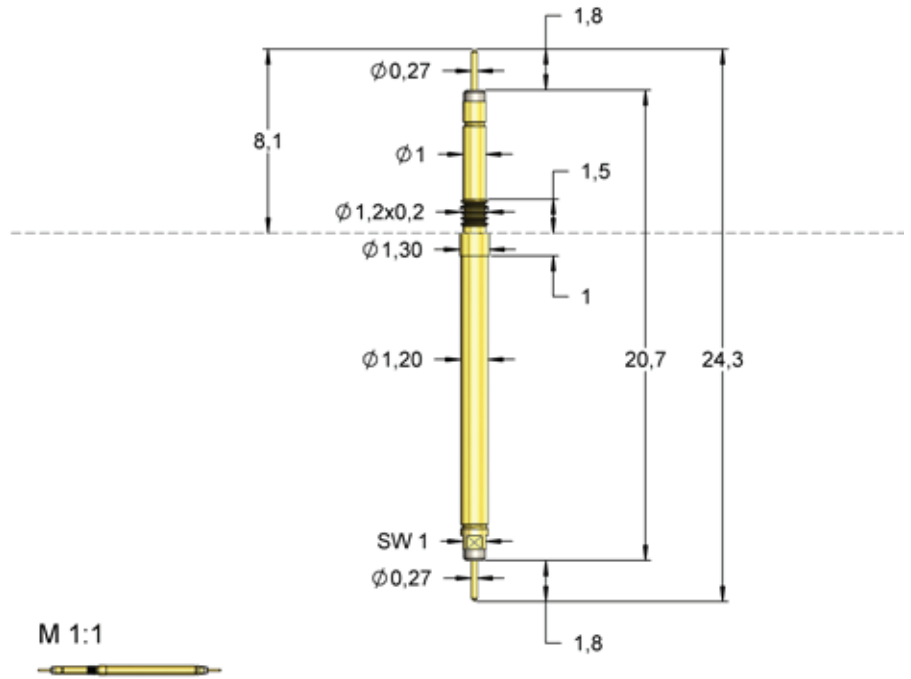
	Nominal	Maximum
Internal Cont.	2,0	2,5
Thread		1,2x0,2
Wrench size		1,0

Materials and Plating

Internal Cont.	BeCu, Longtime gold plated
Internal Barrel	Bronze, gold plated
Circular Cont.	Bronze, gold plated
Spring	Stainless steel, unplated
Internal Cont.	Stainless steel, unplated

Accessories

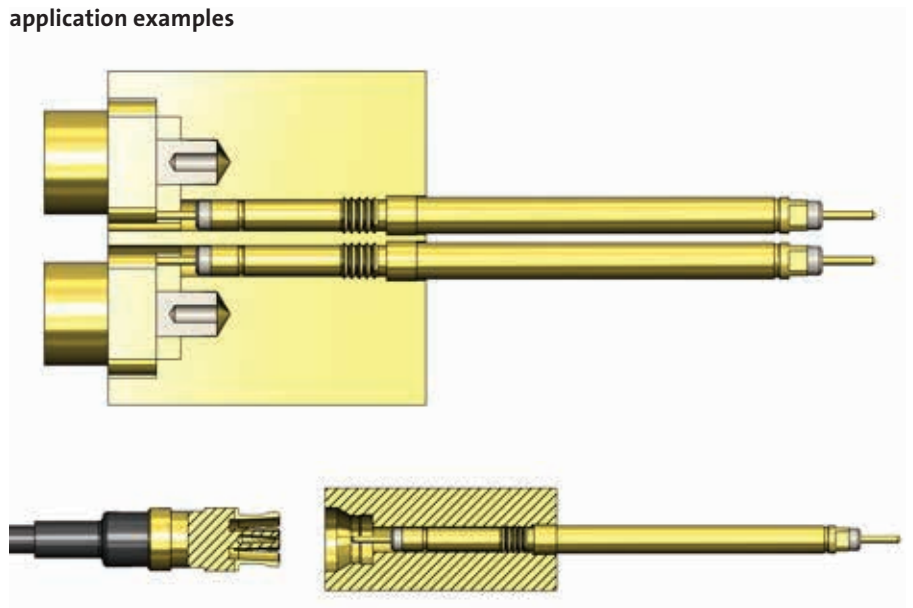
Screw-in tool	FWZ730S1. FWZ730S1T
---------------	------------------------



Currently the smallest threaded double plunger Kelvin probe worldwide. This solution is outstanding on the market, as common Kelvin probes usually require centers of at least 138 mil / 3,50 mm.

Often the probe with the rigid ring contact is mounted through a ground plate and then contacted with the signal pin on PCB pads.

application examples



Order Code	Sense Pin	Tip Style	Internal-Ø	Ring-Ø	C	H	L	Version	Tool
F80001B0001G050M		01	0,27	1,00	1,80	8,10	24,30	-	FWZ730S1 (T)