

F175SP

Step Probe 75 mil

| | |
|-------------------------|----------------|
| Centers (mm/mil) | 1,90 / 75 |
| Contin. current | 4,0 A |
| R typ | 20 mOhm |
| Temperature | -45°C...+100°C |

Spring Force (cN ±20%)

| Version | Preload | Nominal |
|---------|---------|---------|
| SP | 50 | 100 |
| SP | 70 | 150 |

Travel (mm)

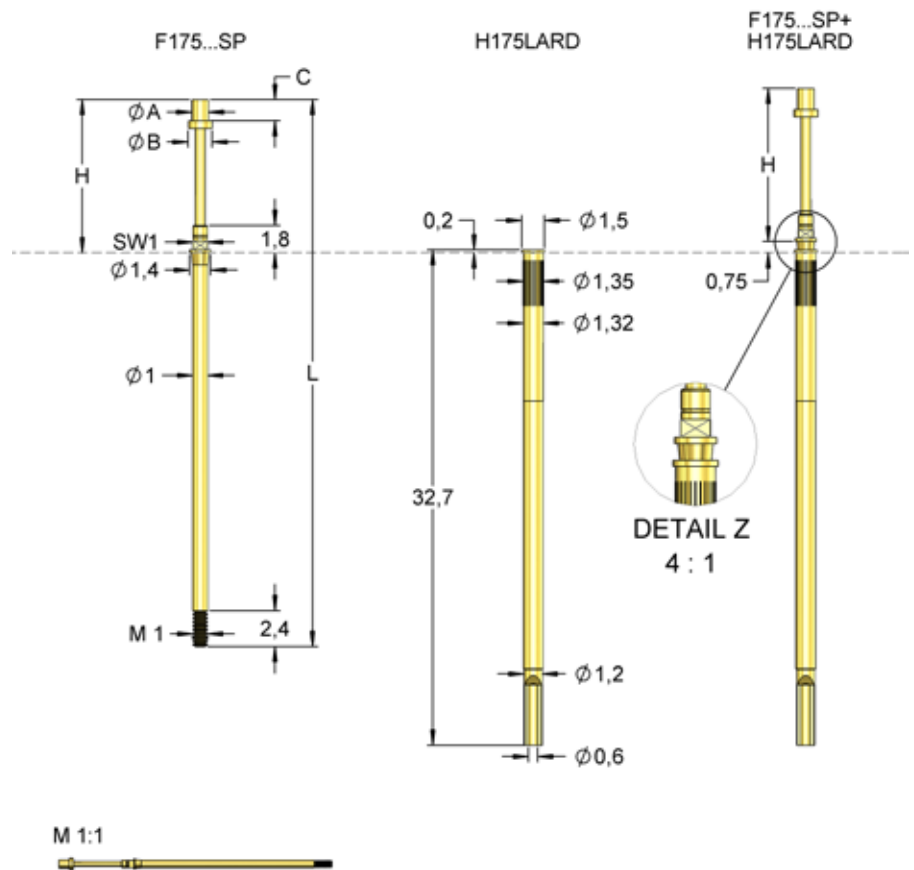
| Version | Nominal | Maximum |
|-------------|---------|---------|
| SP | 4,3 | 6,4 |
| Thread (M) | | 1,0 |
| Wrench Size | | 1,0 |

Materials and Plating

| | |
|-------------|---------------------------|
| Plunger | BeCu, gold plated |
| Barrel | Brass, gold plated |
| Spring | Music wire, silver plated |
| Receptacles | Brass, gold plated |

Accessories

| | |
|---------------------------|------------|
| Insertion tool receptacle | FEWZ-075E0 |
|---------------------------|------------|



Due to the cone below the probe collar, the probe including receptacle looks 0.75mm more out of the mounting plate than just the probe.

As a shorter solution to the F175SP we offer the F176SP on our homepage.

* Differing from standard.

| Order Code | Ø A | Tip Style | C | Ø B | H | L | Version | Screw-in tool |
|---------------------|------|-----------|-----|-----|------|------|---------|---------------|
| F17511B0017G060SP | 0,40 | 11 | 3,5 | 1,0 | 12,6 | 38,6 | SP | FWZ730S1 (T) |
| F17511B0019G060SP | 0,40 | 11 | 4,5 | 1,0 | 13,6 | 39,6 | SP | FWZ730S1 (T) |
| F17511B0020G060SP | 0,40 | 11 | 5,0 | 1,0 | 14,1 | 40,1 | SP | FWZ730S1 (T) |
| F17511B0013G100SP | 0,43 | 11 | 2,5 | 1,5 | 11,6 | 37,6 | SP | FWZ730S1 (T) |
| F17511B0011G100SP | 0,50 | 11 | 1,5 | 1,0 | 10,6 | 36,6 | SP | FWZ730S1 (T) |
| F17511B0012G150SP | 0,60 | 11 | 2,0 | 1,2 | 11,1 | 37,1 | SP | FWZ730S1 (T) |
| F17511B0002G100SP | 0,60 | 11 | 2,0 | 1,5 | 11,1 | 37,1 | SP | FWZ730S1 (T) |
| F17511B0003G100SP | 0,60 | 11 | 2,5 | 1,5 | 11,6 | 37,6 | SP | FWZ730S1 (T) |
| F17511B0004G100SP | 0,60 | 11 | 3,0 | 1,5 | 12,1 | 38,1 | SP | FWZ730S1 (T) |
| F17511B0005G100SP | 0,60 | 11 | 3,6 | 1,5 | 12,7 | 38,7 | SP | FWZ730S1 (T) |
| F17511B0006G100SP | 0,60 | 11 | 4,1 | 1,5 | 13,2 | 39,2 | SP | FWZ730S1 (T) |
| F17511B0007G100SP | 0,60 | 11 | 4,6 | 1,5 | 13,7 | 39,7 | SP | FWZ730S1 (T) |
| F17511B0008G100SP | 0,60 | 11 | 5,1 | 1,5 | 14,2 | 40,2 | SP | FWZ730S1 (T) |
| F17512B0023G150SPS1 | 0,60 | 12 | 1,5 | 0,9 | 9,9 | 35,9 | SPS1 | FWZ730S1 (T) |
| F17516B0010G150SP | 0,60 | 16 | 0,6 | 1,4 | 9,3 | 35,3 | SP | FWZ730S1 (T) |
| F17516B0009G150SP | 0,80 | 16 | 1,0 | 1,5 | 9,7 | 35,7 | SP | FWZ730S1 (T) |
| F17516B0001G150SP | 1,10 | 16 | 1,4 | 1,6 | 10,1 | 36,1 | SP | FWZ730S1 (T) |

Further variants see our homepage.