



HF90-0003 MSMP-M 12 P MCX

HF89005B0003G930

HF890
+H860

**Contacting
MSMP-Male**

NEW

Centers (mm/mil)	5,00 / 200
Current (Circular)	10 A
Current (Internal)	3 A
Impedance [Z]	50 Ohm
Frequency	12 GHz
Temperature	-20°C...+80°C

Spring Force (cN ±20%)

	Preload	Nominal
Internal Cont.	90	130
Circular Cont.	100	800

Travel (mm)

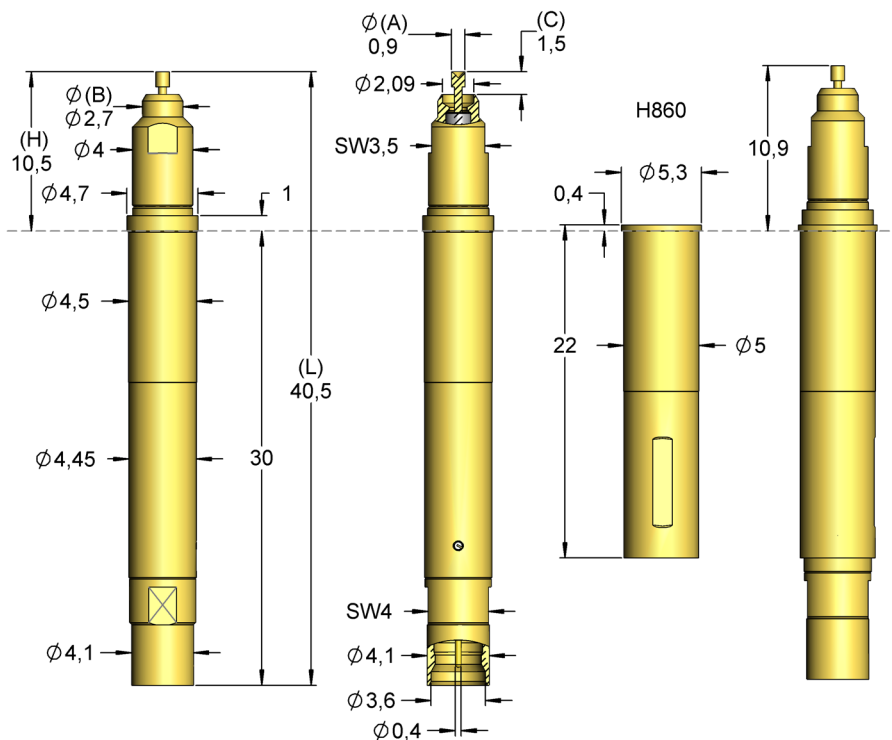
	Nominal	Maximum
Internal Cont.	1,0	1,7
Circular Cont.	4,0	5,0

Materials and Plating

Internal Cont.	BeCu, gold plated
Circular Cont.	BeCu, gold plated
Barrel	Brass, gold plated
Spring	
Internal Cont.	Music Wire, gold plated
Spring	
Circular Cont.	Stainless steel, unplated

Accessories

Connection element up to 12 GHz	SMP-F
---------------------------------	-------



For contacting MSMP-Male connectors.
Different pre-assembled Connecting-Cables are available.

RADIO FREQUENCY PERFORMANCE

recommended max. working frequency	16 GHz			
	DC up to 4 GHz	4 GHz up to 8 GHz	8 GHz up to 12 GHz	12 GHz up to 16 GHz
frequency range				
typical insertion loss: max.	0,2 dB	0,3 dB	0,5 dB	0,6 dB
typical return loss: min.	24 dB	17 dB	12 dB	11 dB
typical VSWR: max.	1,13	1,33	1,58	1,78

This table shows the reference values of the recommended frequency.

Order Code	Sense Pin	Tip Style	Ø A	Ø B	C	H	L	Version
HF89005B0003G930		05	0,90	2,70	1,50	10,5	40,5	-