



HF90-0002 MMBX-F/SMA-F 12 P SMP

Contacting MMBX-Female and SMA-Female

NEW

Centers (mm/mil)	6,50 / 255
Current (Circular)	10 A
Current (Internal)	3 A
Impedance [Z]	50 Ohm
Frequency	12 GHz
Temperature	-20°C...+80°C

Spring Force (cN ±20%)

	Preload	Nominal
Internal Cont.	75	110
Circular Cont.	450	800

Travel (mm)

	Nominal	Maximum
Internal Cont.	1,2	1,9
Circular Cont.	4,0	5,0

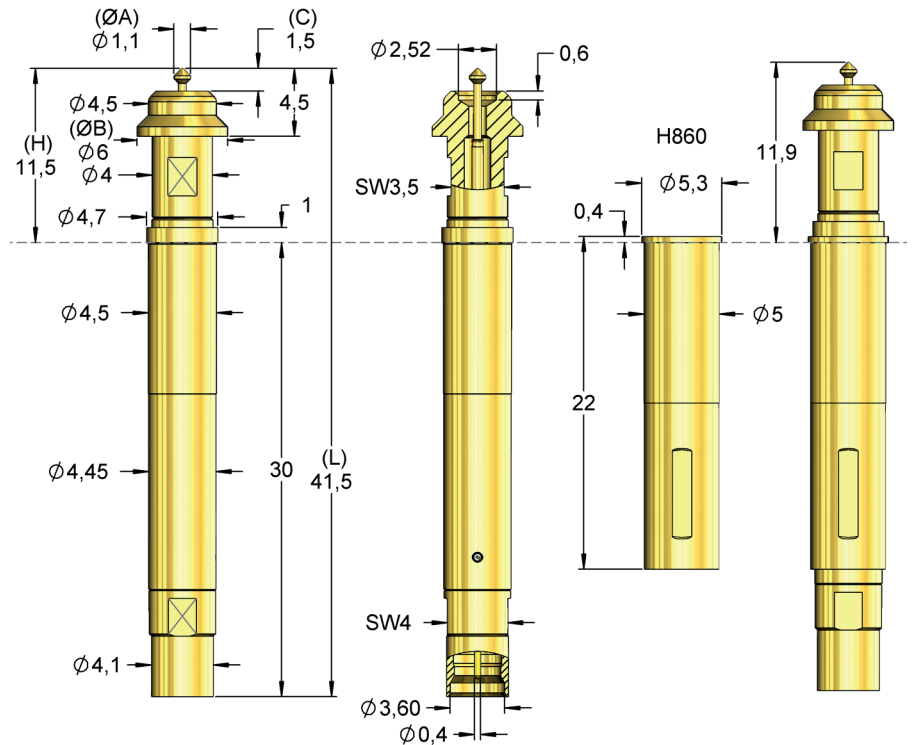
Materials and Plating

Internal Cont.	BeCu, gold plated
Circular Cont.	BeCu, gold plated
Barrel	Brass, gold plated
Spring Internal Cont.	Music Wire, gold plated
Spring Circular Cont.	Stainless steel, unplated

Accessories

Connection element up to 12 GHz	SMP-F
---------------------------------	-------

This table shows the reference values of the recommended frequency.



For contacting MMBX-Female and SMA-Female connectors.
Different pre-assembled Connecting-Cables are available.

RADIO FREQUENCY PERFORMANCE

recommended max. working frequency	MMBX-Female - 16 GHz			
	DC up to 4 GHz	4 GHz up to 8 GHz	8 GHz up to 12 GHz	12 GHz up to 16 GHz
frequency range				
typical insertion loss: max.	0,23 dB	0,34 dB	0,45 dB	0,52 dB
typical return loss: min.	25 dB	20 dB	16 dB	15 dB
typical VSWR: max.	1,12	1,22	1,38	1,43

recommended max. working frequency	SMA-Female - 12 GHz			
	DC up to 4 GHz	4 GHz up to 8 GHz	8 GHz up to 12 GHz	12 GHz up to 16 GHz
frequency range				
typical insertion loss: max.	0,20 dB	0,26 dB	0,36 dB	0,50 dB
typical return loss: min.	28 dB	22 dB	18 dB	13 dB
typical VSWR: max.	1,08	1,17	1,29	1,58

Order Code	Sense Pin	Tip Style	Ø A	Ø B	C	H	L	Version
HF89002B0002G910		02	1,10	6,00	1,50	11,50	41,50	-