



**HF30-0001 SMC-M 5 P MCX**

**Contacting SMC-Male, short version**

**NEW**

<b>Centers (mm/mil)</b>	6,00 / 236
<b>Current (Circular)</b>	10 A
<b>Current (Internal)</b>	3 A
<b>Impedance [Z]</b>	50 Ohm
<b>Frequency</b>	5 GHz
<b>Temperature</b>	-20°C...+80°C

**Spring Force (cN ±20%)**

	<b>Preload</b>	<b>Nominal</b>
Internal Cont.	50	120
Circular Cont.	100	400

**Travel (mm)**

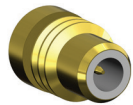
	<b>Nominal</b>	<b>Maximum</b>
Internal Cont.	2,0	3,0
Circular Cont.	2,0	3,0

**Materials and Plating**

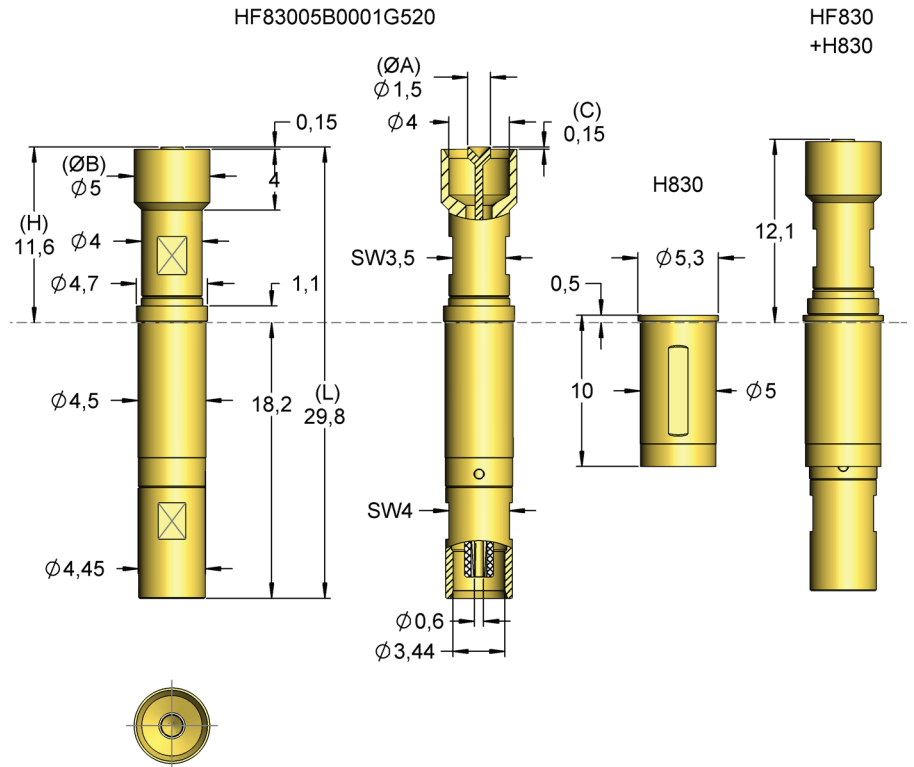
Internal Cont.	BeCu, gold plated
Circular Cont.	BeCu, gold plated
Barrel	Brass, gold plated
Spring Internal Cont.	Music Wire, gold plated
Spring Circular Cont.	Stainless steel, unplated

**Accessories**

Connection element up to 6 GHz	MXC-M
--------------------------------	-------



**SMC (Male)**



For contacting SMC-Male connectors.  
Different pre-assembled Connecting-Cables are available.

**RADIO FREQUENCY PERFORMANCE**

recommended max. working frequency	6 GHz	
	DC up to 4 GHz	4 GHz up to 8 GHz
frequency range		
typical insertion loss: max.	0,4 dB	0,7 dB
typical return loss: min.	15 dB	11 dB
typical VSWR: max.	1,43	1,78

This table shows the reference values of the recommended frequency. The characteristics include the losses of the measuring adapters on the head side and cable side.

Order Code	Sense Pin	Tip Style	Ø A	Ø B	C	H	L	Version
HF83005B0001G520		05	1,50	5,00	0,15	11,60	29,80	-