



**HF77-0002 MateAX-M 12 F MSMP BG01-1**

HF77-0002BG01-1

**Contacting MateAX-Male**

**NEW**

<b>Centers (mm/mil)</b>	4,00 / 157
<b>Current (Circular)</b>	0,5 A
<b>Current (Internal)</b>	0,1 A
<b>Impedance [Z]</b>	50 Ohm
<b>Frequency</b>	12 GHz
<b>Temperature</b>	-20°C...+80°C

**Spring Force (cN ±20%)**

	<b>Preload</b>	<b>Nominal</b>
Internal Cont.	95	120
Circular Cont.	230	420

**Travel (mm)**

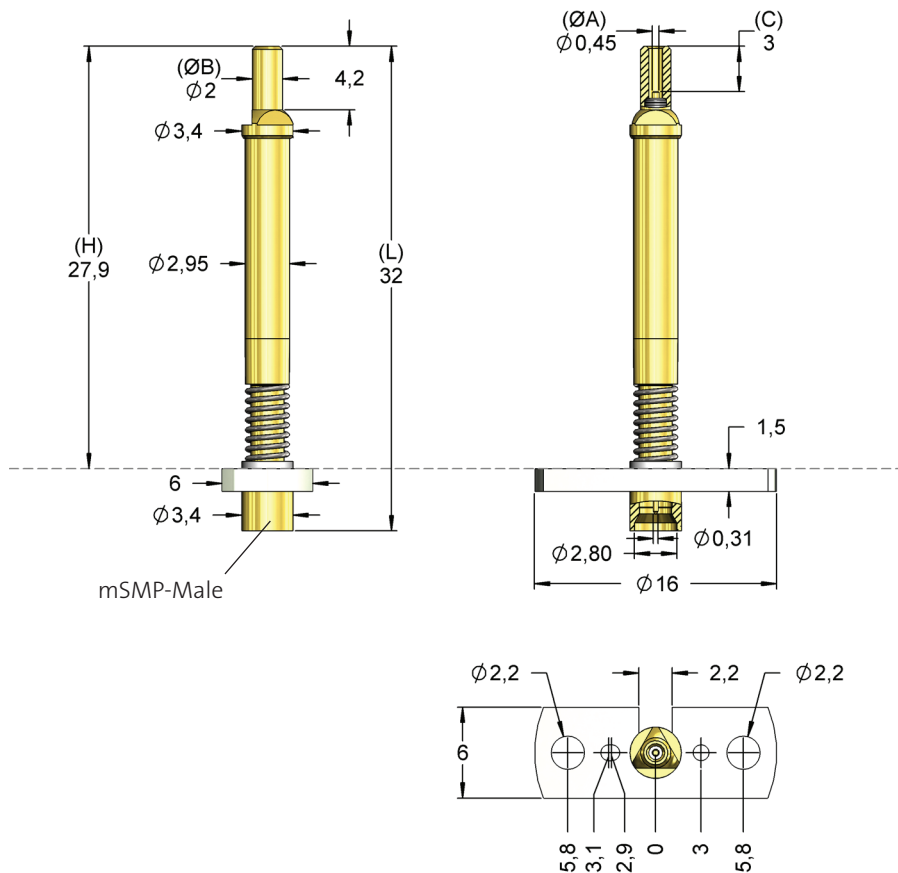
	<b>Nominal</b>	<b>Maximum</b>
Internal Cont.	0,5	1,8
Circular Cont.	2,0	2,8
Wrench Size	-	-

**Materials and Plating**

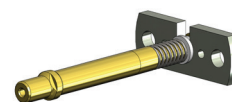
Internal Cont.	BeCu, gold plated
Circular Cont.	BeCu, gold plated
Barrel	Brass, gold plated
Spring	Music Wire, gold plated
Internal Cont.	Music Wire, gold plated
Spring	Stainless steel, unplated
Circular Cont.	Stainless steel, unplated

**Accessories**

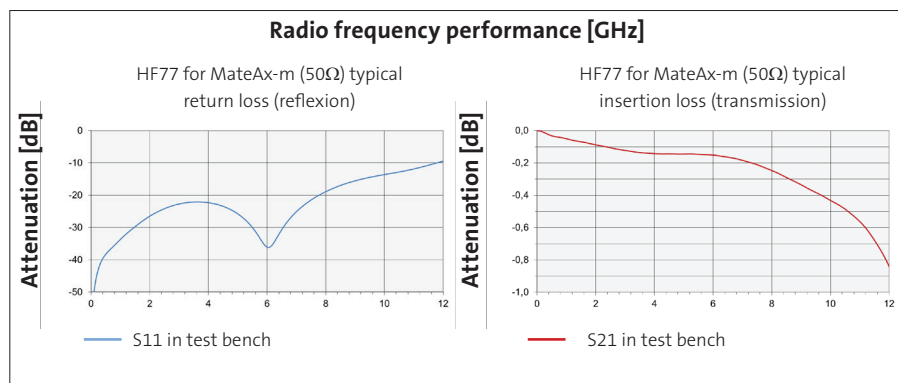
Change probe	HF7716B0002G530
Assembly tool	FZWZ-005
Connection element 500mm up to 12 GHz	H77AE3



The probe can be mounted using the flange.  
Cable connection with standard connector Mini SMP female.



MateAX-Male



Order Code	Sense Pin	Tip Style	Ø A	Ø B	C	H	L	Version
1036172		16	0,45	2,00	-3,00	27,90	32,00	-