



HF77-0001 HFM-M F MSMP BG02-1

Contacting HFM-Male

NEW

Centers (mm/mil)	8,50 / 335
Current (Circular)	0,5 A
Current (Internal)	0,1 A
Impedance [Z]	50 Ohm
Frequency	12 GHz
Temperature	-20°C...+80°C

Spring Force (cN ±20%)

	Preload	Nominal
Internal Cont.	95	120
Circular Cont.	230	420

Travel (mm)

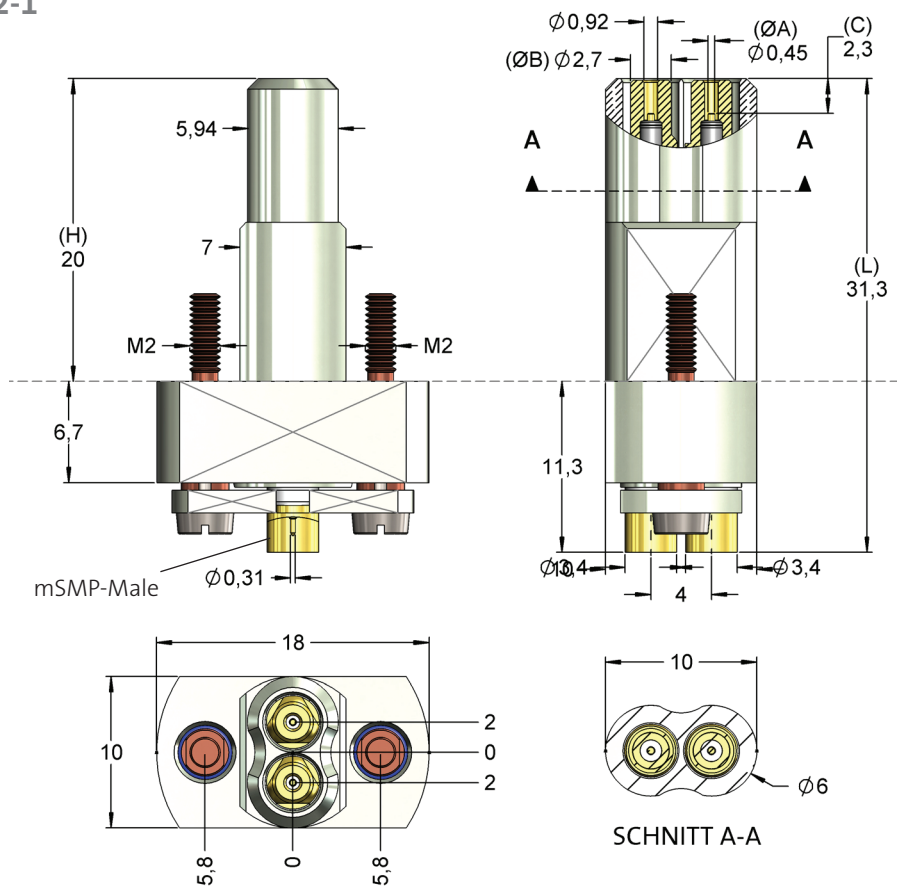
	Nominal	Maximum
Internal Cont.	0,5	1,8
Circular Cont.	2,0	2,8
Wrench Size	-	-

Materials and Plating

Internal Cont.	BeCu, gold plated
Circular Cont.	BeCu, gold plated
Barrel	Brass, gold plated
Spring Internal Cont.	Music Wire, gold plated
Spring Circular Cont.	Stainless steel, unplated

Accessories

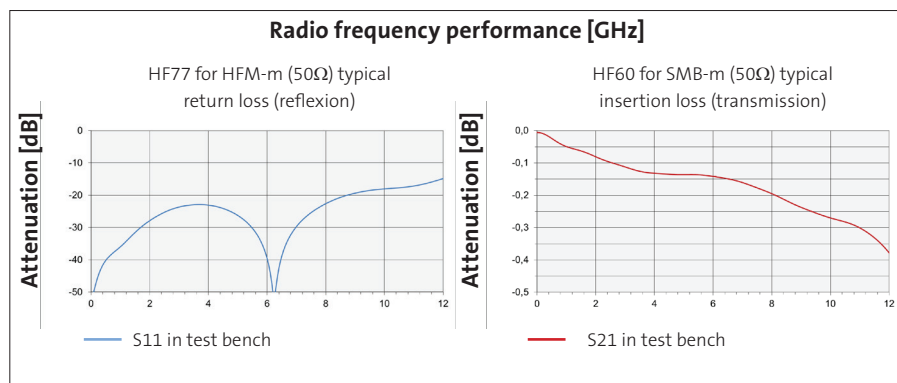
Change probe	HF7716B0001G530
Assembly tool	FUWZ-001
Connection element 500mm up to 12 GHz	H77AE3



The probe can be mounted using the flange.
Cable connection with standard connector Mini SMP female.



HFM-Male



Order Code	Sense Pin	Tip Style	Ø A	Ø B	C	H	L	Version
1057696		16	0,45	2,70	-2,20	27,10	31,20	-