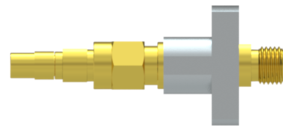


HF66-0043

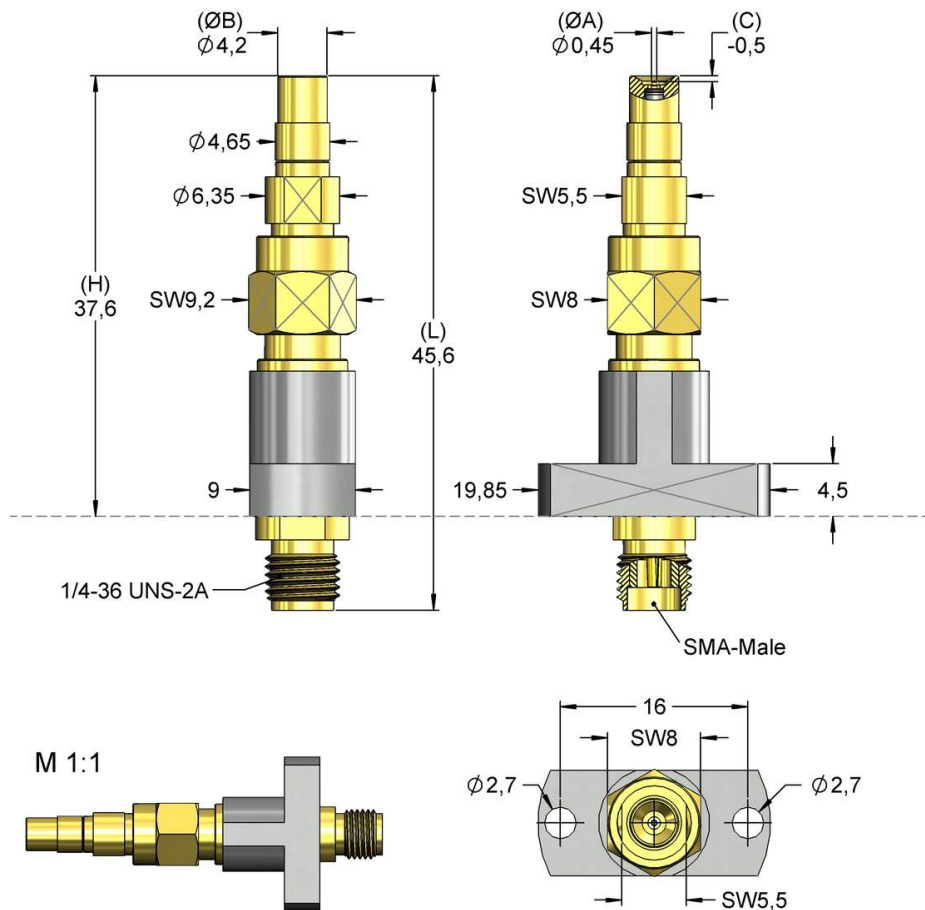
Order no. 1036633



FEINMETALL
Contact Technologies

General

Design	Coaxial Probe
Type	HF66-0043
Centers [mm]	10,0
Temperature [C°]	-20°C...+80°C



Dimensions

Length	45,60 mm
Diameter Tip Style	0,45 mm
Diameter Tip Style 2	0,45 mm
Distance inside-outside	0,50 mm
Diameter Barrel	9,50 mm



Mechanical specifications

Preload	300,00 cN
Spring Force	500,00 cN
Nominal Travel	1,00 mm
Maximum Travel	1,70 mm
Thread	1/4"-36UNS
Wrench size	SW8,0
DUT / Test item	U.FL

Electrical specifications

Continuous current	5,00 A
Impedance	50,00 Ohm
Frequency	8,00 GHz

Materials and surfaces

Tip Style	05	
Tip Style 2	17	
Material Tip Style	Beryllium cooper	
Surface Tip Style	Gold	
Material Plunger	Beryllium cooper	
Plating Plunger	Gold	
Material Spring	High-grade steel	
Plating Spring	Uncoated	
Material Barrel	Brass	
Plating Barrel	Nickel	
Material Plunger 2	Beryllium cooper	
Plating Plunger 2	Gold	
Material Spring 2	Spring steel	
Plating Spring 2	Gold	

Specifications inner contact

Continuous current 2	1,00 A
Nominal Travel 2	0,50 mm

Maximum Travel 2	0,90 mm
Preload 2	95,00 cN
Spring Force 2	120,00 cN