



HF66-0018 SMP-M 18 F SMA

**Contacting
SMP-Male**

NEW

Centers (mm/mil)	9,00 / 354
Current (Circular)	0,5 A
Current (Internal)	0,1 A
Impedance [Z]	50 Ohm
Frequency	18 GHz
Temperature	-20°C...+80°C

Spring Force (cN ±20%)

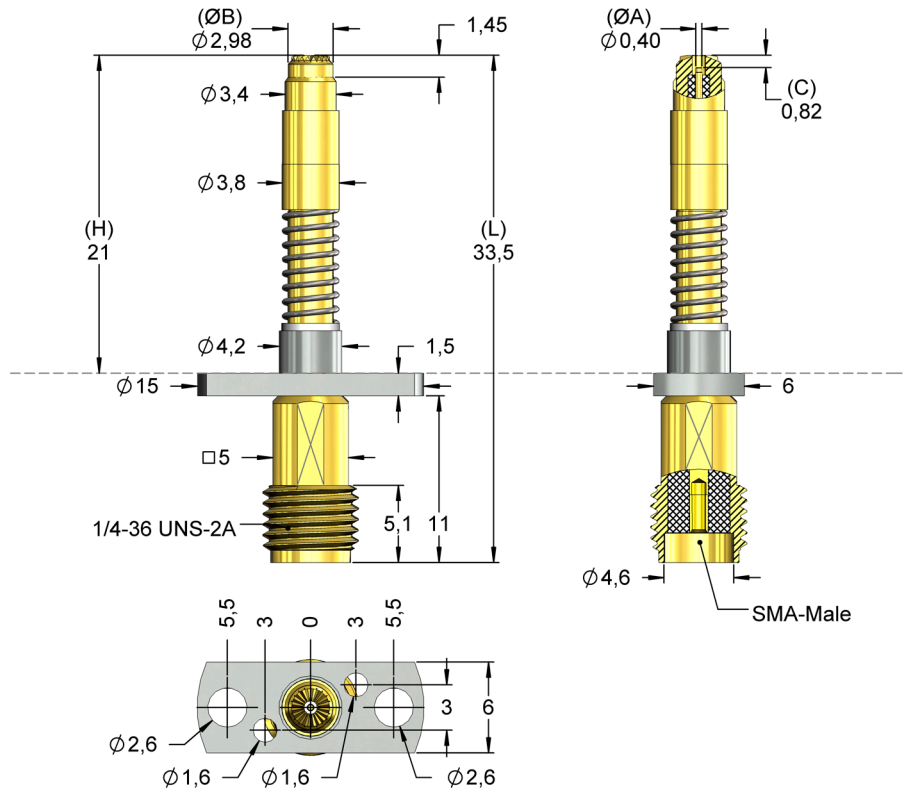
	Preload	Nominal
Internal Cont.	95	120
Circular Cont.	240	360

Travel (mm)

	Nominal	Maximum
Internal Cont.	95	120
Circular Cont.	240	360
Thread		1/4"
Wrench Size		5,0

Materials and Plating

Internal Cont.	BeCu, gold plated
Circular Cont.	Brass, gold plated
Barrel	Brass, gold plated
Spring Internal Cont.	Music Wire, gold plated
Spring Circular Cont.	Stainless steel, unplated



The probe can be mounted using the flange.
Cable connection with standard connector SMA-Male.

SMP-Male



RADIO FREQUENCY PERFORMANCE

Typical insertion loss	DC 0-6 GHz	DC 6-12 GHz	DC 12-18 GHz
Maximum	0,3 dB	0,7 dB	1,0 dB
Typical return loss	DC 0-6 GHz	DC 6-12 GHz	DC 12-18 GHz
Minimum	22 dB	12 dB	10 dB
Typical VSWR	DC 0-6 GHz	DC 6-12 GHz	DC 12-18 GHz
Maximum	1,17	1,67	1,9

This table shows the reference values in the middle and at the end of the recommended frequency.

Order Code	Description	Sensepin	Tip Style	Ø A	Ø B	C	H	L	Version
HF66-0018	HF66-0018 SMP-M 18 F SMA		16	0,4	2,98	-0,82	21,00	33,50	-