



# V03

## Push Back Probe 118 mil Plug-In with Switch Function

<b>Centers (mm/mil)</b>	3,00 / 118
<b>Current</b>	8,0 A
<b>Current (Switch)</b>	1,0 A
<b>R typ</b>	30 mOhm
<b>Temperature</b>	-45°C...+100°C

### Spring Force (cN ±20%)

Version	Preload	Nominal
Standard	300	1500

### Travel (mm)

Version	Nominal	Maximum
Standard	5,0	6,0
Switch Travel (mm)		3,5
Wrench Size		2,2
Pointing Accuracy		±0,10 mm

### Materials and Plating

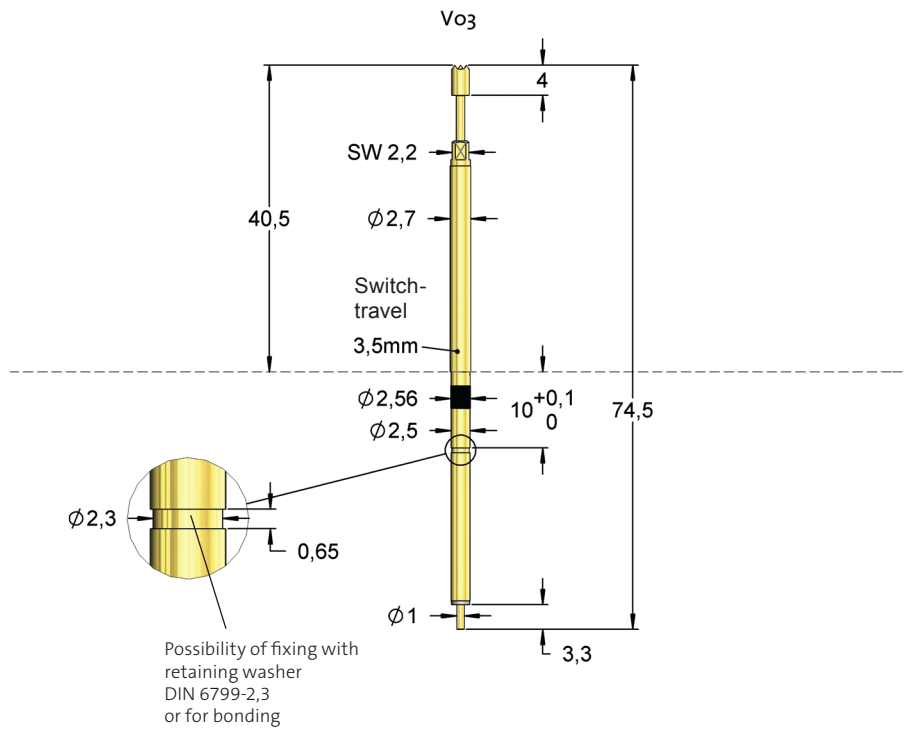
Plunger	see Tip Style
Barrel	Brass, gold plated
Spring	Music wire, gold plated
Receptacles	-

### Drill Size (mm)

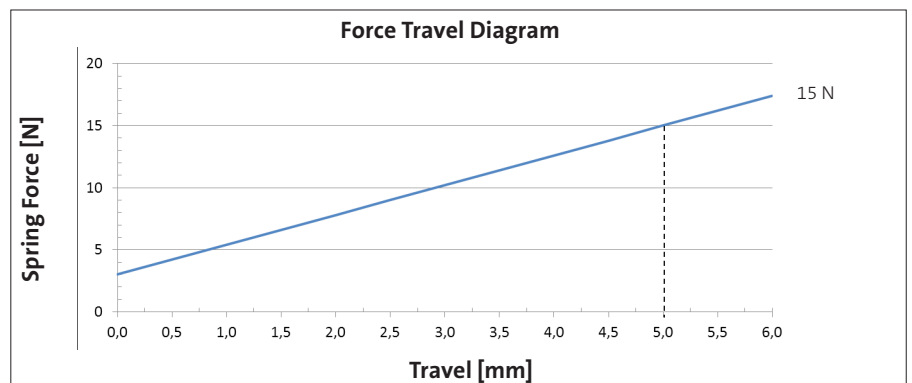
V03	2,50 - 2,52
-----	-------------

### Projection Height (mm)

V03	40,5
-----	------



M 1:1



Series	Tip- $\phi$	Spring Force (N)
V03	06	15
	B	G
	230	

Tip Style: 06, Material: B, Plating: G, Version: 15

**Material:** B = BeCu  
**Tip- $\phi$ :** 230 = 2,3 mm (e.g.)  
**Plating:** G = Gold plated  
**Receptacle:** Order code according drawing

Tip Style	Number	Material	$\phi$ in mm	Plating	Version
	06	B	2,30	G	-
	17	B	2,30	G	-