



HF19-0005 HSD-M 3 P HSD

**Contacting
HSD-Male**

NEW

Centers (mm/mil)	12,0 / 472
Current (Circular)	10,0 A
Current (Internal)	3,0 A
Impedance [Z]	100 Ohm
Frequency	3 GHz
Temperature	-20°C...+80°C

Spring Force (cN ±20%)

	Preload	Nominal
Total	-	2000
Internal Cont.	75	130
Circular Cont.	900	1500

Travel (mm)

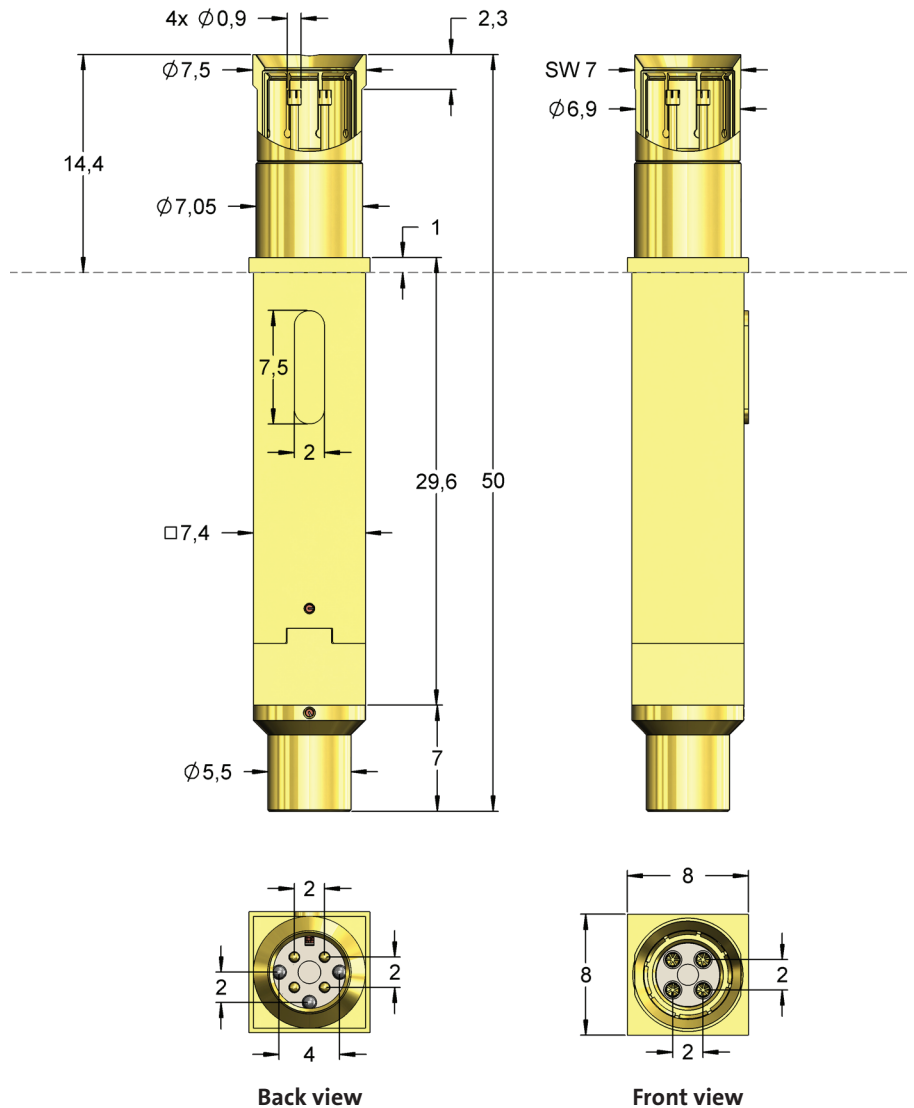
	Nominal	Maximum
Internal Cont.	2,0	3,7
Circular Cont.	5,0	6,0
Wrench Size	6,0 / 7,0	

Materials and Plating

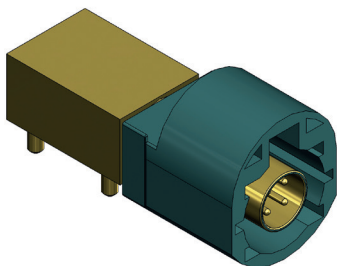
Internal Cont.	BeCu, gold plated
Circular Cont.	BeCu, gold plated
Barrel	Brass, gold plated
Spring Internal Cont.	Music Wire, gold plated
Spring Circular Cont.	Stainless steel, unplated

Accessories

Internal pin	F08655B090G130
Tool for changing internal pin	FZWZ-004 / FDWZ-050



With its larger diameters of the internal pins and the self-cleaning tip style this version is well suitable for contacting contaminated DUTs. The reduced connection area allows a direct connection to connection element H819AE1. The three protruding alignment pins - due to their better guidance when connecting the connection cable - serve to avoid of damage.



HF819



H819AE1 (HSD-Female)

HSD-Male (D4S20A-40MLS-Z)

Order Code	Description	Sensepin	Tip Style	Ø A	Ø B	C	H	L	Version
HF81955B1005G2000	HF19-0005 HSD-M 3 P HSD		55	0,90	7,50	-2,30	14,40	50,00	-



F086

Internal Contact for RF Probes HF819 and HF860

Centers (mm/mil)	1,27 / 50
Current	3,0 A
R_{typ}	10 mOhm
Temperature	-20°C...+80°C

Spring Force (cN ±20%)

Version	Preload	Nominal
Standard	75	130
SP	75	130

Travel (mm)

Version	Nominal	Maximum
Standard	2,0	3,7
SP	2,0	3,7
Pointing Accuracy		±0,05 mm

Materials and Plating

Plunger	see Tip Style
Barrel	Bronze, gold plated
Spring	Music Wire, gold plated
Receptacle	Nickel silver, gold plated

Accessories

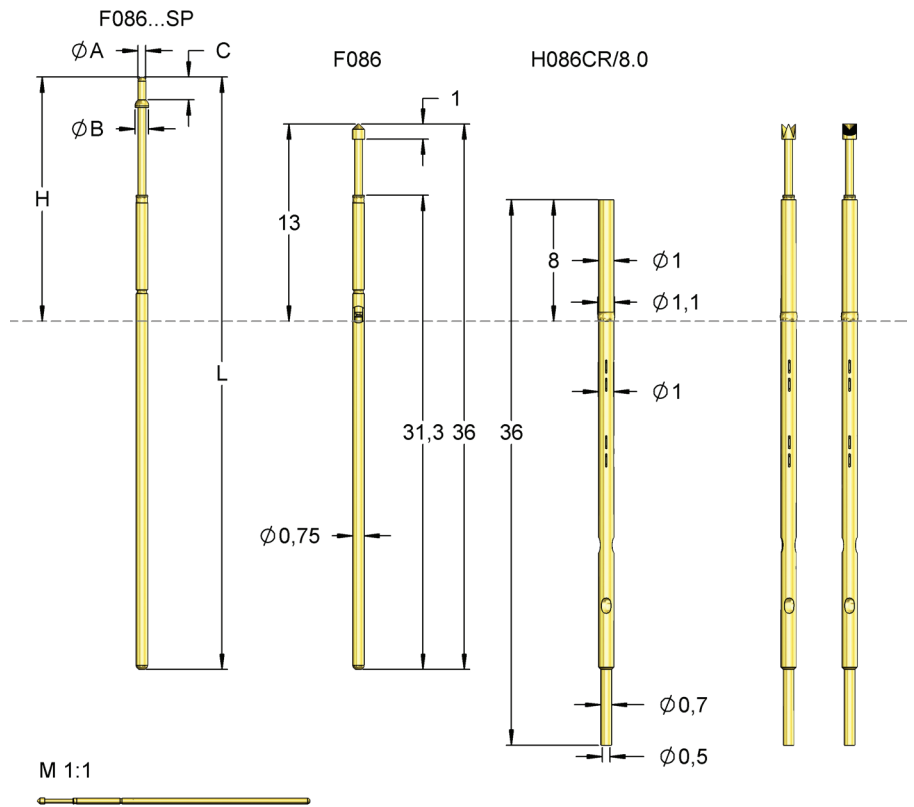
Insertion tool receptacle	FEWZ-050EV
Insertion tool receptacle	FEWZ-050E0
Insertion tool probe	FDWZ-050

Drill Size (mm)

Receptacle press ring as stop	0,99 - 1,00
Receptacle press ring inserted	1,05 - 1,07

Projection Height (mm)

H086CR/8.0 with F086	5,0 - 13,0
H086CR/8.0 with F086...SP	8,1 - 16,1



The F086 is mounted in the RF probes HF860 and HF819 as internal contact for signal transmission.

* deviating from standard, depending on diameter.

Tip Style	Number	Material	Plating	Ø in mm	Version
	02	B	G	0,80	-
	02	B	3,00	G	S1
	02	B	G	1,80	-
	05	B	G	0,90	-
	05	B	G	1,50	-
	11	B	G	0,51	-
	14	B	L	0,90	-
	18	B	G	0,51	-
	55	B	G	0,90	-

Series	Tip-Ø	Spring Force (cN)
F086 14 S 090 L 130		
Tip Style	Material	Plating
Version		

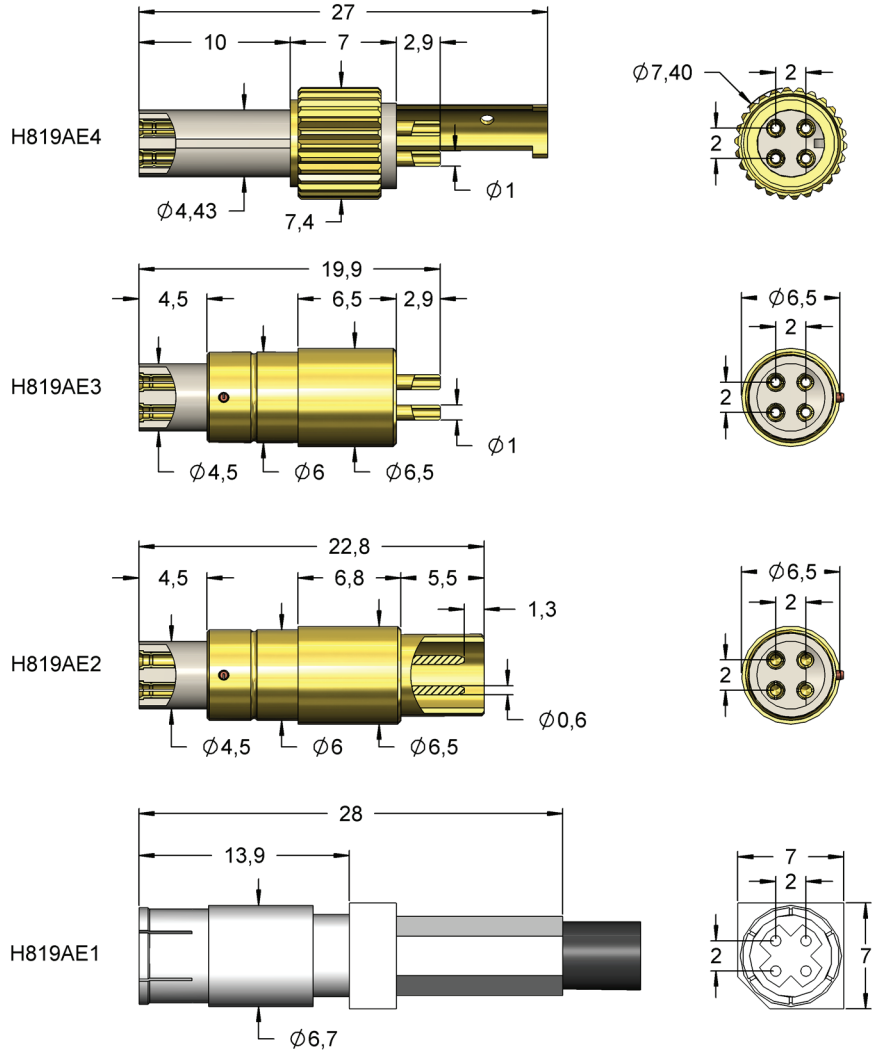
Material: B = BeCu, S = Steel
Tip-Ø: 090 = 0,90 mm (e.g.)
Plating: G = Gold plated, L = Longtime gold plated
Version: SP = Step Probe (see table)
Receptacle: Order Code according drawing

Order Code	Tip Style	Ø A	Ø B	C	H	L	Version
F08612B0002G130SP *	12	0,51	0,90	1,50	8,10	39,10	SP
F08612B0004G130SP *	12	0,60	0,90	1,50	8,10	39,10	SP
F08612B0003G130SP *	12	max. 0,60	0,90	1,50	8,10	39,10	SP

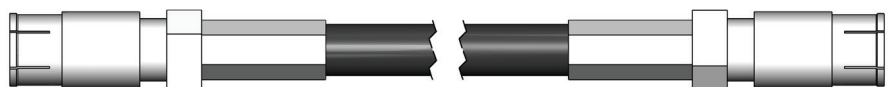


H819AEx

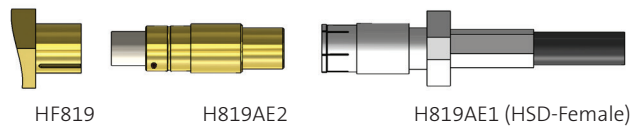
Connecting Elements for HF819



Connection on both sides:
D4K- Dacar 535,
socket 4-pole, straight
Length: 500 mm (± 10 mm)



By combining the connection elements H819AE2 and H819AE1 a defined and reproducible measuring setup with fix parameters can be realized.



Connection units selectable

