



**HF19-0004 HSD-M 2 P H819AE4**

**Contacting HSD-Male, with threaded connecting element**

**NEW**

<b>Centers (mm/mil)</b>	12,0 / 472
<b>Current (Circular)</b>	10,0 A
<b>Current (Internal)</b>	3,0 A
<b>Impedance [Z]</b>	100 Ohm
<b>Frequency</b>	2 GHz
<b>Temperature</b>	-20°C...+80°C

**Spring Force (cN ±20%)**

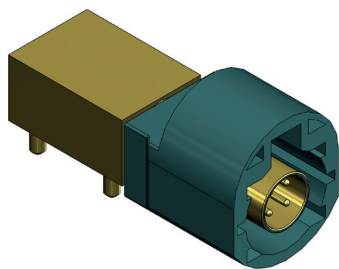
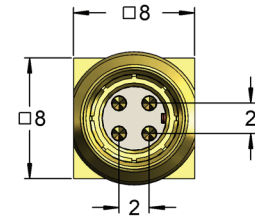
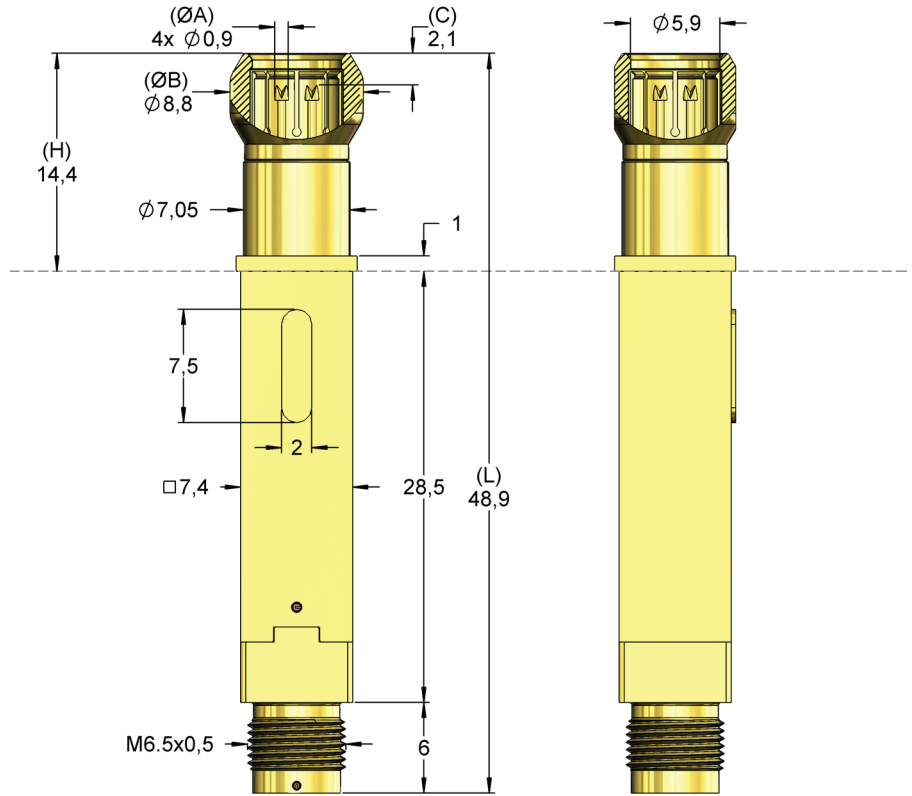
	<b>Preload</b>	<b>Nominal</b>
Total	-	1270
Internal Cont.	75	130
Circular Cont.	300	750
	900	1500

**Travel (mm)**

	<b>Nominal</b>	<b>Maximum</b>
Internal Cont.	2,0	3,7
Circular Cont.	5,0	6,0
Wrench Size		8,0

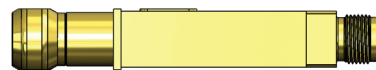
**Materials and Plating**

Internal Cont.	Steel, longtime gold plated
Circular Cont.	Brass, gold plated
Barrel	Brass, gold plated
Spring Internal Cont.	Music Wire, gold plated
Spring Circular Cont.	Stainless steel, unplated

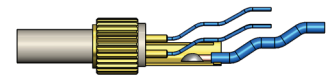


HSD-Male (D4S20A-40MLS-Z)

With its spherical ring contact, the HF probe can better center itself in the HSD connector. The H819AE4 connection element can be screwed on using the thread at the end of the probe. This prevents the connection element from being pulled off.



HF819



H819AE4

<b>Order Code</b>	<b>Sense Pin</b>	<b>Tip Style</b>	<b>Ø A</b>	<b>Ø B</b>	<b>C</b>	<b>H</b>	<b>L</b>	<b>Version</b>
HF81914S0004L1270		14	0,90	8,80	- 2,10	14,40	48,90	-
HF81914S0004L2020		14	0,90	8,80	- 2,10	14,40	48,90	-