



**HF19-0001 HSD-M 2 P H819AE2-3**

**Contacting  
HSD-Male**

<b>Centers (mm/mil)</b>	12,0 / 472
<b>Current (Circular)</b>	10,0 A
<b>Current (Internal)</b>	3,0 A
<b>Impedance [Z]</b>	100 Ohm
<b>Frequency</b>	1-2 GHz
<b>Temperature</b>	-20°C...+80°C

**Spring Force (cN ±20%)**

	Preload	Nominal
Total	-	1270
Internal Cont.	75	130
Circular Cont.	300	750

**Travel (mm)**

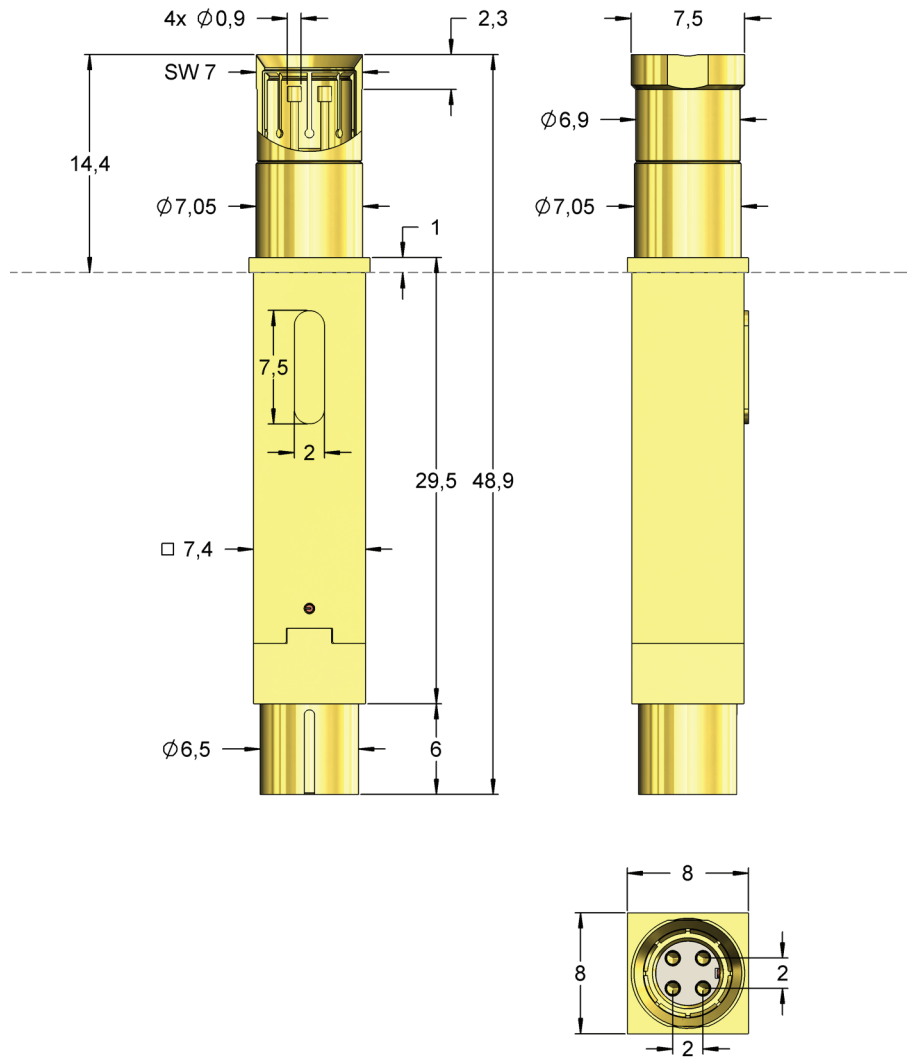
	Nominal	Maximum
Internal Cont.	2,0	3,7
Circular Cont.	5,0	6,0
Wrench Size	6,0 / 7,0	

**Materials and Plating**

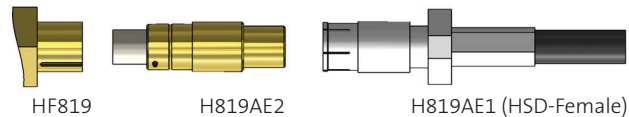
Internal Cont.	BeCu, gold plated
Circular Cont.	BeCu, gold plated
Barrel	Brass, gold plated
Spring	
Internal Cont.	Music Wire, gold plated
Spring	
Circular Cont.	Stainless steel, unplated

**Accessories**

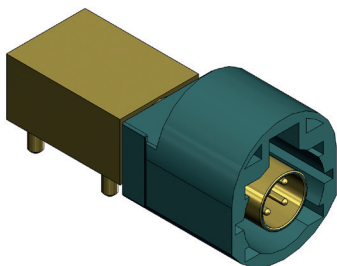
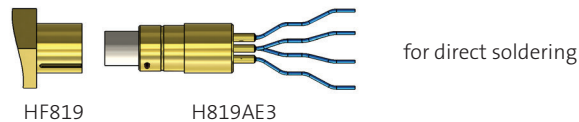
Internal pin	F08605B090G130
Tool for changing internal pin	FZWZ-004 / FDWZ-050



By combining the connection elements H819AE2 and H819AE1 a defined and reproducible measuring setup with fix parameters can be realized.



**Connection units selectable**



**HSD-Male (D4S20A-40MLS-Z)**

Order Code	Description	Sensepin	Tip Style	Ø A	Ø B	C	H	L	Version
HF81905B0001G1270	HF19-0001 HSD-M 2 P H819AE2-3		05	0,90	7,50	-2,30	14,40	48,90	-



# F086

## Internal Contact for RF Probes HF819 and HF860

<b>Centers (mm/mil)</b>	1,27 / 50
<b>Current</b>	3,0 A
<b>R<sub>typ</sub></b>	10 mOhm
<b>Temperature</b>	-20°C...+80°C

### Spring Force (cN ±20%)

Version	Preload	Nominal
Standard	75	130
SP	75	130

### Travel (mm)

Version	Nominal	Maximum
Standard	2,0	3,7
SP	2,0	3,7
Pointing Accuracy		±0,05 mm

### Materials and Plating

Plunger	see Tip Style
Barrel	Bronze, gold plated
Spring	Music Wire, gold plated
Receptacle	Nickel silver, gold plated

### Accessories

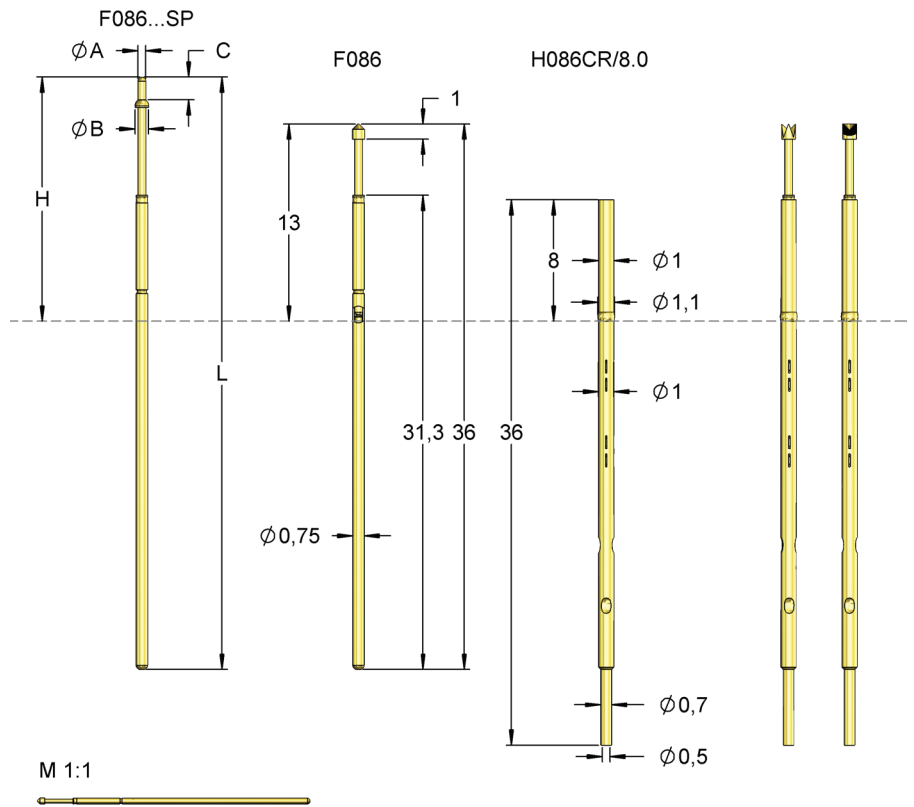
Insertion tool receptacle	FEWZ-050EV
Insertion tool receptacle	FEWZ-050E0
Insertion tool probe	FDWZ-050

### Drill Size (mm)

Receptacle press ring as stop	0,99 - 1,00
Receptacle press ring inserted	1,05 - 1,07

### Projection Height (mm)

H086CR/8.0 with F086	5,0 - 13,0
H086CR/8.0 with F086...SP	8,1 - 16,1



The F086 is mounted in the RF probes HF860 and HF819 as internal contact for signal transmission.

\* deviating from standard, depending on diameter.

Tip Style	Number	Material	Plating	Ø in mm	Version
	02	B	G	0,80	-
	02	B	3,00	G	S1
	02	B	G	1,80	-
	05	B	G	0,90	-
	05	B	G	1,50	-
	11	B	G	0,51	-
	14	B	L	0,90	-
	18	B	G	0,51	-
	55	B	G	0,90	-

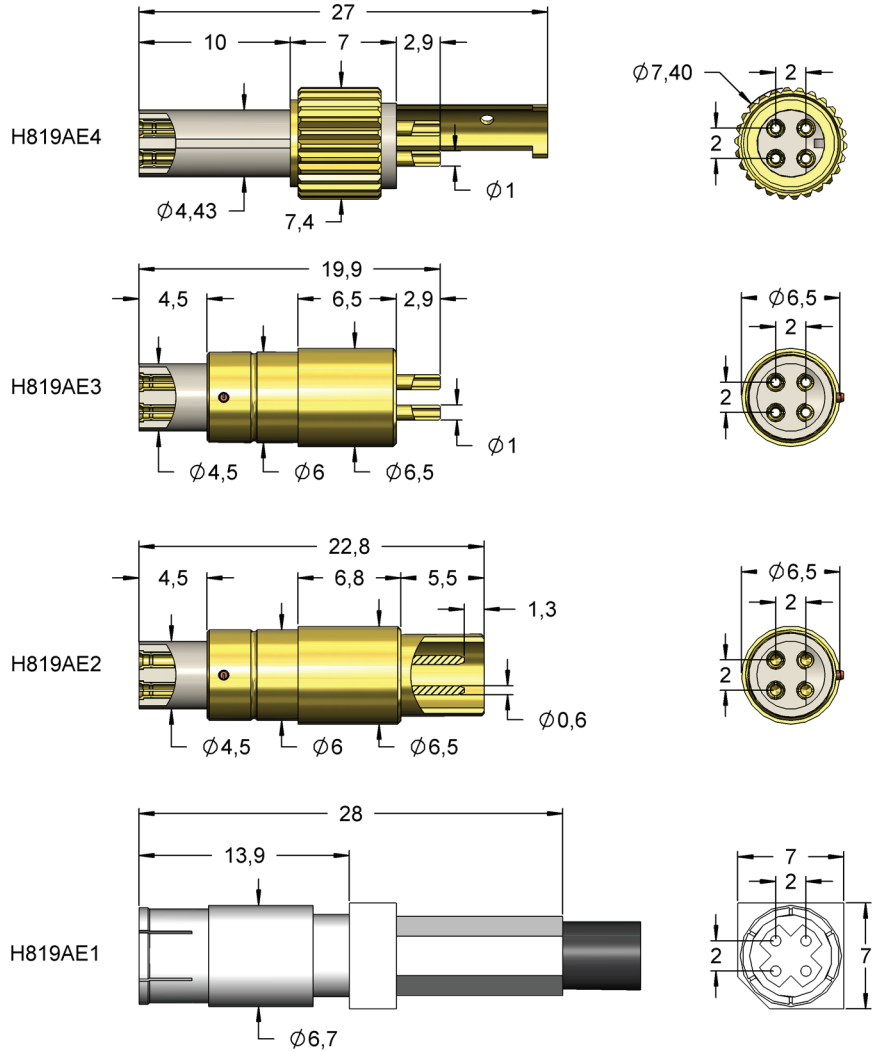
Series	Tip-Ø	Spring Force (cN)
<b>F086</b>	<b>14</b>	<b>S 090 L 130</b>
	Tip Style	Material Plating Version
<b>Material:</b>	B = BeCu, S = Steel	
<b>Tip-Ø:</b>	090 = 0,90 mm (e.g.)	
<b>Plating:</b>	G = Gold plated, L = Longtime gold plated	
<b>Version:</b>	SP = Step Probe (see table)	
<b>Receptacle:</b>	Order Code according drawing	

Order Code	Tip Style	Ø A	Ø B	C	H	L	Version
F08612B0002G130SP *	12	0,51	0,90	1,50	8,10	39,10	SP
F08612B0004G130SP *	12	0,60	0,90	1,50	8,10	39,10	SP
F08612B0003G130SP *	12	max. 0,60	0,90	1,50	8,10	39,10	SP

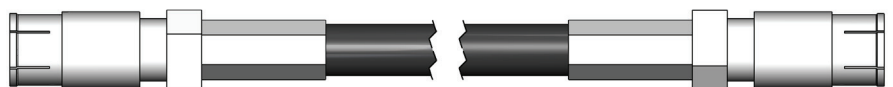


# H819AEx

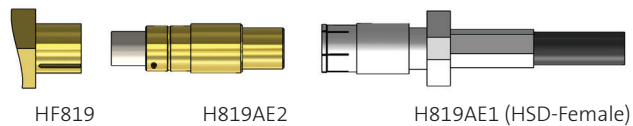
## Connecting Elements for HF819



**Connection on both sides:**  
D4K- Dacar 535,  
socket 4-pole, straight  
Length: 500 mm (± 10 mm)



By combining the connection elements H819AE2 and H819AE1 a defined and reproducible measuring setup with fix parameters can be realized.



### Connection units selectable

