



FTS

Coaxial, spring-loaded temperature sensor, for voltage measurement

Centers (mm/mil)	8,50 / 335
Current	5,0 A
R typ (power)	<6 mOhm
Temperature	-40°C...+200°C

Spring Force (cN ±20%)

	Preload	Nominal
Total	-	700
Sensor	70	200
Circular cont.	400	500

Travel (mm)

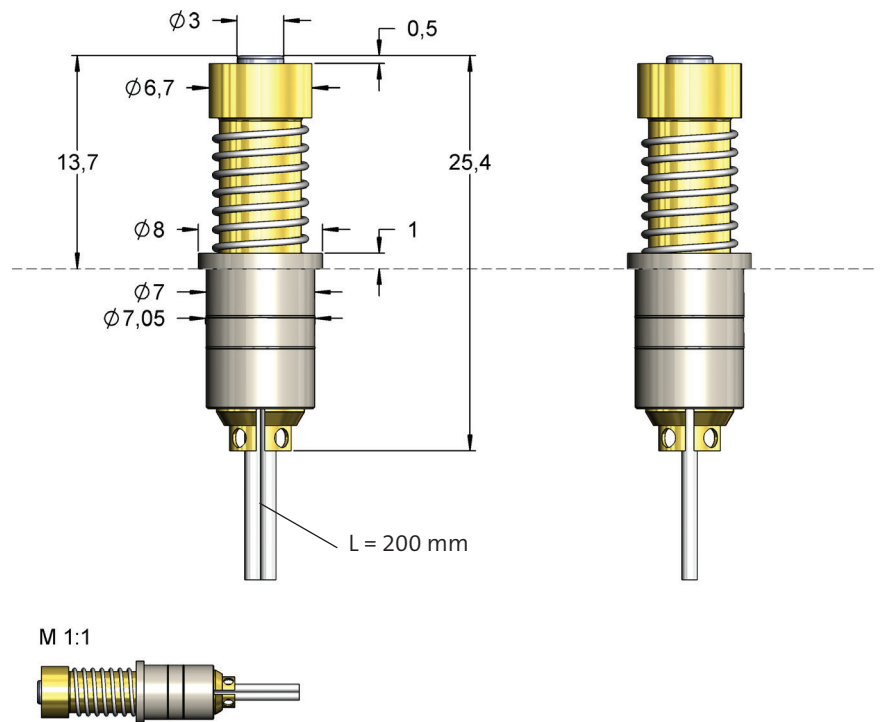
Version	Nominal	Maximum
Sensor	0,5	4,0
Circular cont.	4,0	5,0

Materials and Plating

Sensor	Stainless steel, unplated
Circular cont.	BeCu, gold plated
Barrel	Syntetic, unplated
Spring	Stainless steel, unplated
Circular cont.	Stainless steel, unplated

Drill Size (mm)

Barrel with knurl	7,00 -7,03
-------------------	------------



The contact probe enables the simultaneous electrical contacting and temperature measurement at the contact point in compact design.

Order Code	Tip Style	Number	Material	Ø in mm	Plating	Temperature Sensor
FTS0116E0001U700		16	E	3,00	U	PT100
FTS0216E0001U700		16	E	3,00	U	PT1000
FTS0316E0001U700		16	E	3,00	U	NTC
FTS0416E0001U700		16	E	3,00	U	Typ K