



F88890S1101U200S05 (NO)

Switch Probe with Ball Head Threaded



Centers (mm/mil)	7,00 / 275
Current	5,0 A
Current (Switch)	1,0 A
R typ	25 mOhm
Temperature	-45°C...+100°C

Spring Force (cN ±20%)

Version	Preload	Nominal
Standard	100	200

Travel (mm)

Version	Nominal	Maximum
Standard	1,0	1,0
Switch Travel (mm)		0,5
Thread (M)		6,0x0,75
Wrench Size		5,0

Materials and Plating

Ball	Steel, unplated
Barrel	Brass, gold plated
Spring	Music wire, gold plated
Receptacles	Brass, gold plated

Accessories

Insertion tool receptacle	FEWZ-888
Screw-in tool	FWZ888
Screw-in tool w. light indicator	FWZ888SA
Connection element	H888AE

Drill Size (mm)

F88890S1101U200S05	M6x0,75
H888RD	6,55 - 6,70
H888S1	6,50

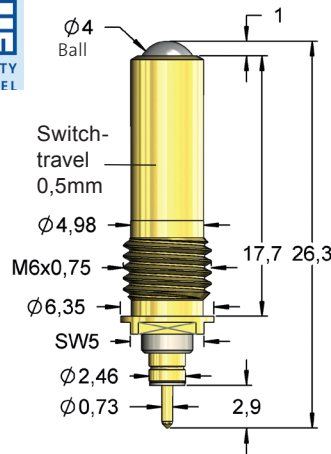
Projection Height (mm)

F88890S1101U200S05	max. 1,00
--------------------	---------------------

Series	Number	Spring Force (cN)
F888	90	S
	1101	U
	200	S05
	Tip Style	Material
	Plating	Version

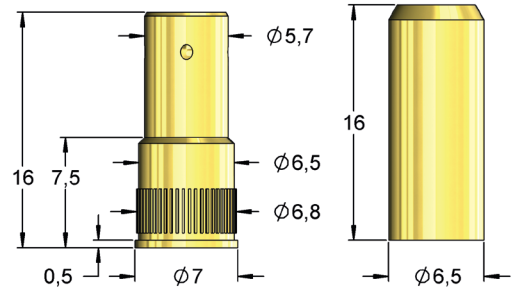
- Material:** S = Steel
- Number:**
- 1. Digit: 0 = Switch not galvanically isolated
1 = Switch galvanically isolated
2 = Without switch
 - 2. Digit: 0 = Without thread
1 = With thread
 - 3.+4. Digit: Running number
- Plating:** U = Unplated
- Version:** S05 = 0,5mm Switch travel (e.g.)
- Receptacle:** Order code according drawing

F88890S1101U200S05

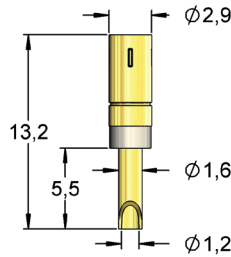


H888RD

H888S1



H888AE

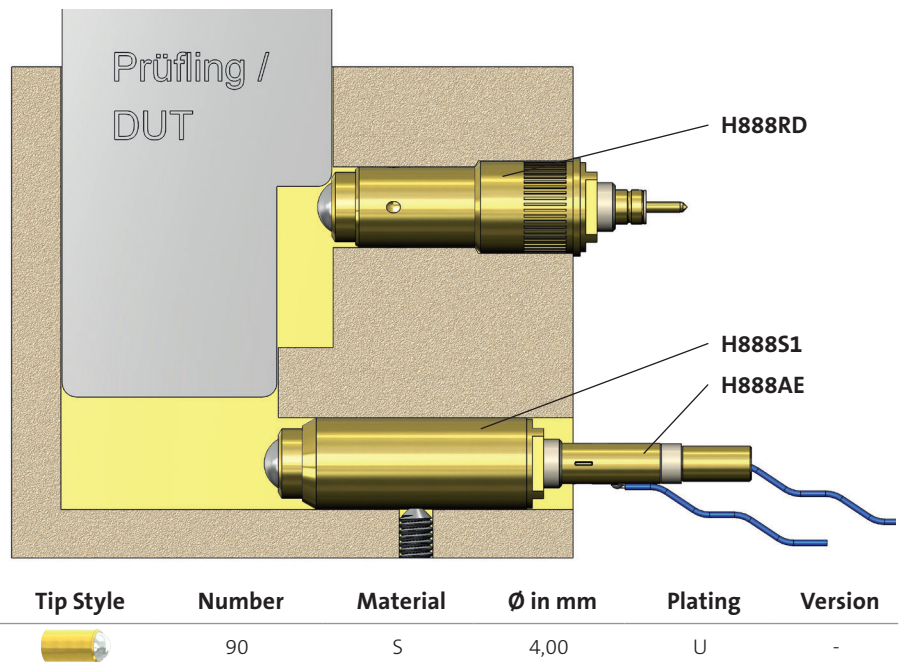


M 1:2



Due to a rolling ball as contact element probes of the series F888 are insensitive against lateral forces. A common application is the lateral presence test of connector housings in test modules. The switch circuit of this probe is galvanically isolated against the barrel.

The same probe just with a larger collar of 8,4 mm instead of 6,35 mm is available by order code **F88890S1103U200S05**.



Tip Style Number Material Ø in mm Plating Version



90

S

4,00

U

-