



F88890S0003U100Sxx (NO)

Switch Probe with Ball Head Plug-In



Centers (mm/mil)	6,50 / 256
Current	5,0 A
Current (Switch)	1,0 A
R typ	25 mOhm
Temperature	-45°C...+100°C

Spring Force (cN ±20%)

Version	Preload	Nominal
S05	70	100
S08	70	100

Travel (mm)

Version	Nominal	Maximum
S05	1,4	1,4
S08	1,4	1,4

Switch Travel (mm)

S05	0,5
S08	0,8

Materials and Plating

Ball	Steel, unplated
Barrel	Brass, gold plated
Spring	Stainless steel, unplated

Accessories

Connection element	H888AE
--------------------	--------

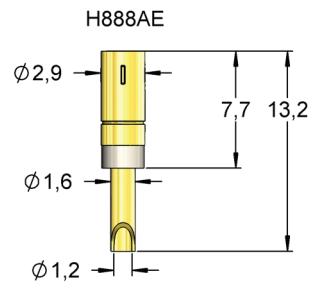
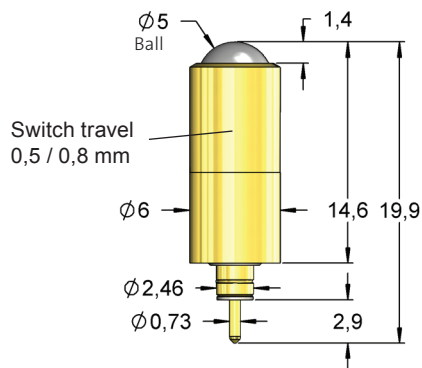
Drill Size (mm)

F88890S0003U100Sxx	6,00
--------------------	------

Projection Height (mm) max.

F88890S0003U100Sxx	1,40
--------------------	------

F88890S0003U100S05/S08



M 1:1



Due to a rolling ball as contact element probes of the series F888 are insensitive against lateral forces. A common application is the lateral presence test of connector housings in test modules. The switch circuit of this probe is **not** galvanically isolated against the barrel.

Series	Number	Spring Force (cN)
F888	90 S 0003 U 100 S08	
Tip Style	Material	Plating
Version		

Material:	S = Steel
Number:	
1. Digit	0 = Switch not galvanically isolated 1 = Switch galvanically isolated 2 = Without switch
2. Digit	0 = Without thread 1 = With thread
3.+4. Digit	Running number
Plating:	U = Unplated
Version:	S08 = 0,8mm Switch travel (e.g.)
Receptacle:	Order code according drawing

Tip Style	Number	Material	Ø in mm	Plating	Version
	90	S	5,00	U	S05
	90	S	5,00	U	S08