



F835

Kelvin Probe 138 mil Threaded

Centers (mm/mil)	3,50 / 138
Current (Circular)	10,0 A
Current (Internal)	2,0 A
Frequency	2 GHz
Temperature	-45°C...+100°C

Spring Force (cN ±20%)

	Preload	Nominal
Total	-	180
Internal Cont.	30	70
Circular Cont.	50	110
Total	-	410
Internal Cont.	50	110
Circular Cont.	80	300

Travel (mm)

	Nominal	Maximum
Internal Cont.	4,0	5,0
Circular Cont.	4,0	5,0
Wrench Size		2,6
Thread		2,5

Materials and Plating

Internal Cont.	BeCu, gold plated
Circular Cont.	BeCu, gold plated
Barrel	Brass, gold plated
Spring	Music Wire, silver plated
Internal Cont.	Stainless Steel, silver plated
Spring	Music Wire, silver plated
Circular Cont.	Music Wire, silver plated
Receptacle	Brass, gold plated

Accessories

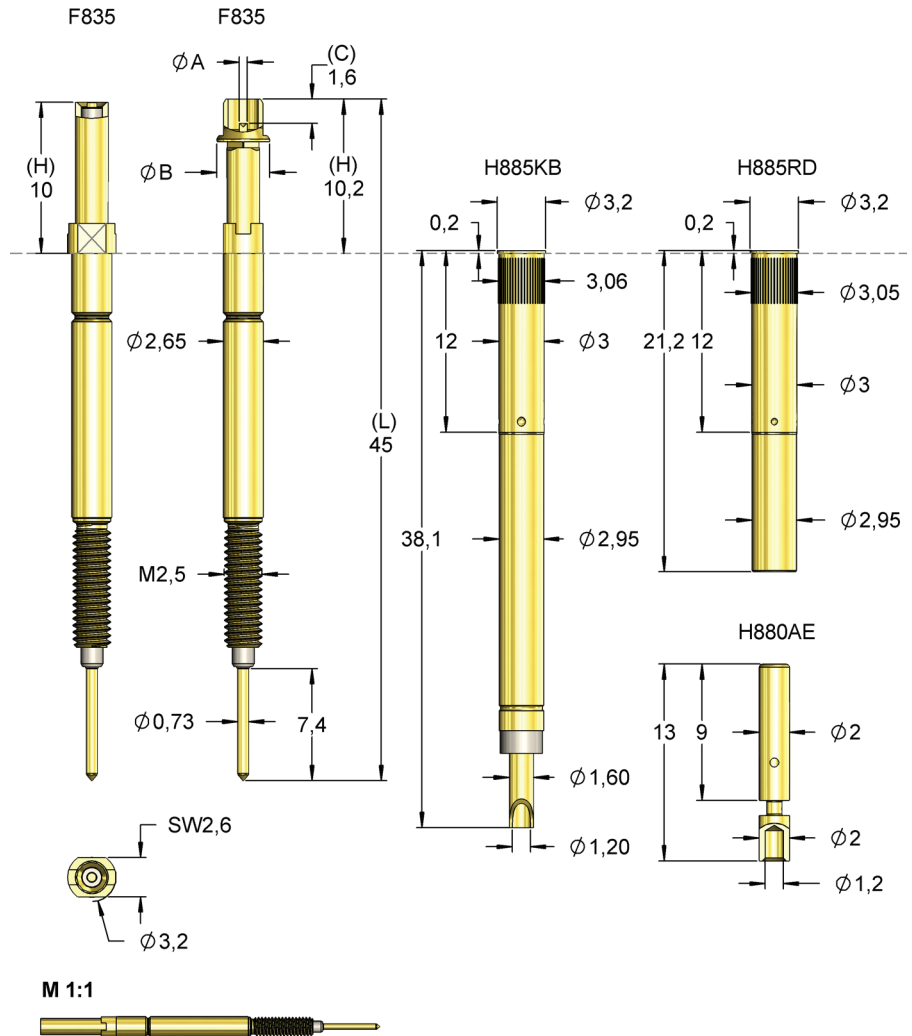
Insertion tool receptacle	FEWZ-774E0
	FWZ885 (T)
Screw-in tool probe	FWZ885L (T)

Drill Size (mm)

Receptacle without knurl	2,98 - 2,99
Receptacle with knurl	3,00 - 3,02

Herausraghöhe (mm)

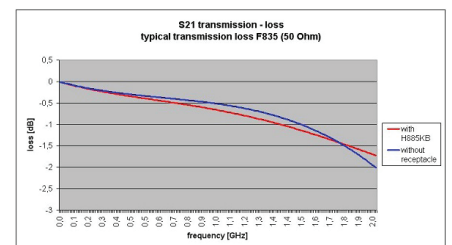
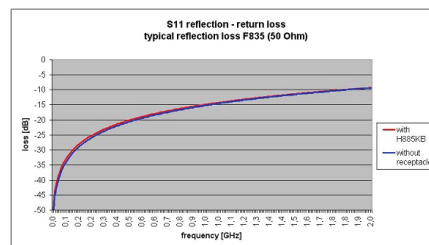
H885... mit F835	H + 0,2
------------------	---------



The version F83527B0002G410 is suitable for Kelvin measurement of the hybrid connector ECTA.

Versions for connector contacting:

F83512B0004G120 - HFM coax, female; F83505B0005G120 - HFM coax, male
F83505B0006G120 - MATE-AX, male; F83511B0003G120 - MATE-AX, female



Order Code	Sense Pin	Tip Style	Ø A	Ø B	C	H	L	Version	Screw-in Tool
F83505B0005G120		05	0,52	2,65	-1,60	10,20	45,00	-	FWZ885S1 (T)
F83505B0006G120		05	0,52	3,20	-1,90	10,50	45,30	-	FWZ760S1 (T)
F83509B0001G180		09	0,64	2,17	0,00	10,00	44,80	-	FWZ885 (T)
F83511B0003G120		11	0,45	2,66	-0,90	9,00	43,80	-	FWZ885S1 (T)
F83512B0004G120		12	0,60	3,20	-0,20	9,00	43,80	-	FWZ760S1 (T)
F83516B0001G410		16	0,64	2,17	0,00	10,00	44,80	-	FWZ885 (T)