



# F725C

**High Current Probe 197 mil  
Robust Version,  
up to 50 A, Threaded**

<b>Centers (mm/mil)</b>	5,00 / 197
<b>Current</b>	50,0 A
<b>R typ</b>	<5 mOhm
<b>Temperature</b>	-45°C...+200°C (H)

### Spring Force (cN ±20%)

Version	Preload	Nominal
C	100	250

### Travel (mm)

Version	Nominal	Maximum
C	2,0	2,5
Thread (M)		3,0
Wrench Size		3,5
Pointing Accuracy		±0,10 mm

### Materials and Plating

Plunger	see Tip Style
Barrel	Brass, gold plated
Spring	Stainless steel, unplated
Receptacle	Brass, gold plated

### Accessories

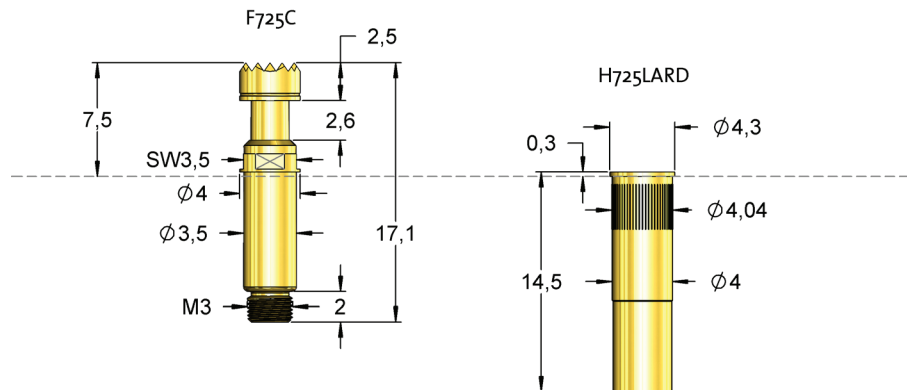
Insertion tool receptacle	FEWZ-735E0
Screw-in tool probe	FWZ735 (T)

### Drill Size (mm)

H725...	3,98 - 3,99
---------	-------------

### Projection Height (mm)

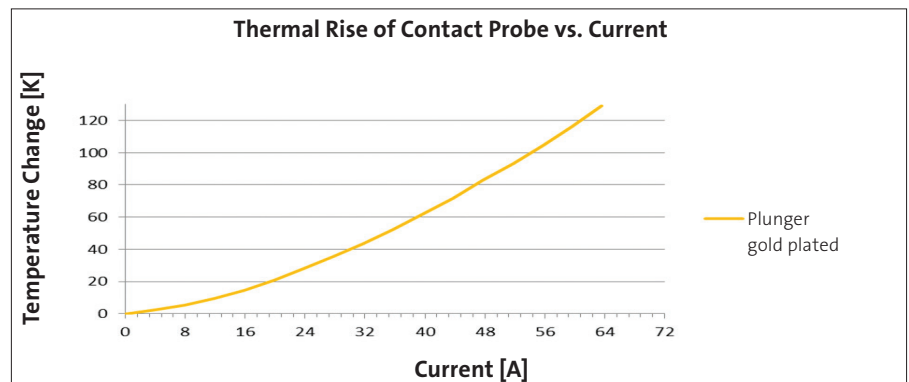
H725... with F725C	7,5
--------------------	-----



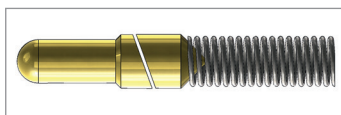
M 1:1



For high current applications with limited space.



Design with split plunger



Series	Tip-Ø	Spring Force (cN)
<b>F725 06 B 400 G 250 C</b>		
Tip Style	Material	Plating
Version		

**Material:** B = BeCu  
**Tip-Ø:** 400 = 4,00 mm (e.g.)  
**Plating:** G = Gold plated  
**Version:** C = High Current Version  
**Receptacle:** Order code according drawing

Tip Style	Number	Material	Ø in mm	Plating	Version
	06	B	4,00	G	C
	12	B	4,00	G	C
	14	B	4,00	G	C