



F665...S1

Short Travel Probe 50 mil for Interfaces

Centers (mm/mil)	1,27 / 50
Current	4,0 A
R typ	<20 mOhm
Temperature	-45°C...+100°C

Spring Force (cN ±20%)

Version	Preload	Nominal
S1	25	60

Travel (mm)

Version	Nominal	Maximum
S1	0,6	1,1
Pointing Accuracy		±0,08 mm

Materials and Plating

Plunger	BeCu, gold plated
Barrel	Bronze, gold plated
Spring	Stainless steel, gold plated
Receptacle	Bronze, gold plated

Accessories

Insertion tool receptacle	FEWZ-040E0
Insertion tool probe	FDWZ-050

Drill Size (mm)

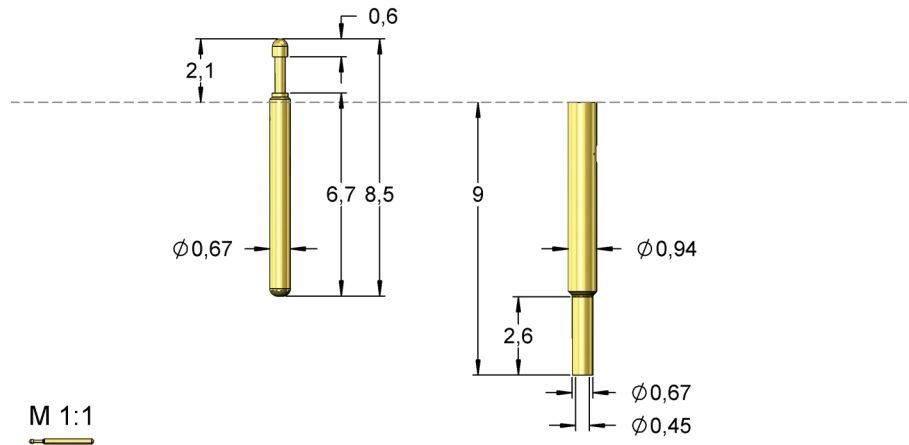
H605WW	0,93 - 0,94
--------	-------------

Projection Height (mm)

F665...S1 in H665LAS1	2,1
-----------------------	-----

F66512B050G060S1

H665LAS1



Suitable for a reliable signal transmission in interfaces.
The probe is designed with a bias ball.

Series	Tip-Ø	Spring Force (cN)
F665 12 B 050 G 060 S1		
Tip Style	Material	Plating
Version		

Material: B = BeCu
Tip-Ø: 050 = 0,50 mm (e.g.)
Plating: G = Gold plated
Version: S1 = Special version (see drawing)
Receptacle: Order code according drawing

Tip Style	Number	Material	Ø in mm	Plating	Version
	12	B	0,50	G	S1