



F375 (NO)

Switch Probe 100 mil Long Version, Threaded

Centers (mm/mil)	2,54 / 100
Current	5,0 A
Current (Switch)	1,0 A
R typ	50 mOhm
Temperature	-45°C...+100°C

Spring Force (cN ±20%)

Version	Preload	Nominal
Standard	30	200

Travel (mm)

Version	Nominal	Maximum
Standard	8,0	9,5
Switch Travel (mm)		1,5
Thread (M)		1,6
Wrench Size		1,7
Pointing Accuracy		±0,15 mm

Materials and Plating

Plunger	see Tip Style
Barrel	Brass, gold plated
Spring	Music wire, gold plated
Receptacles	Brass, gold plated

Accessories

Insertion tool receptacle	FEWZ-772E0
Screw-in tool probe	FWZ732 (T) max. Ø 2,0 mm
Screw-in tool probe	FWZ732S1 (T1) max. Ø 2,7 mm

Drill Size (mm)

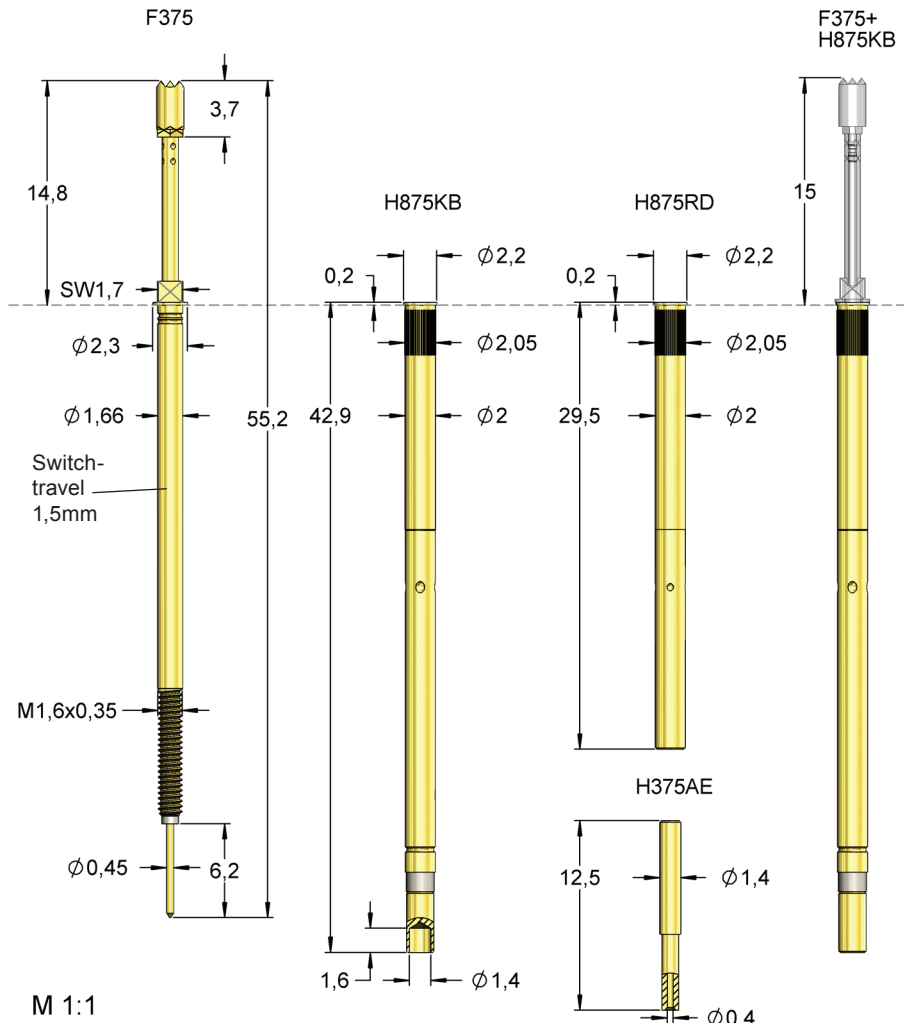
Receptacle without knurl	1,99 - 2,00
Receptacle with knurl	2,02 - 2,03

Projection Height (mm)

H875 / H875RD / H875KB with F375	15,0 - 20,0
H875/5 / H875KB/5 with F375	19,8 - 24,8

Series	Tip-Ø	Spring Force (cN)
F375 06 B 180 G 200		
Tip Style	Material	Plating
Version		

Material:	B = BeCu
Tip-Ø:	180 = 1,80 mm (e.g.)
Plating:	G = Gold plated
Receptacle:	Order code according drawing



M 1:1

The probe F375 can be height adjusted by 5,0 mm, independently from the used receptacle. It is held in its position by pressure marks. For further receptacles see datasheet H875.

Tip Style	Number	Material	Ø in mm	Plating	Version
	06	B	1,80	G	-
	17	B	1,80	G	-



H875

Receptacles for Switch Probe Series F875, F873 and F375

Receptacle H875RD

This receptacle has the same dimensions as H875, but it has a knurl for a secure seat in the drill hole
Projection heights.

Material: Brass, gold plated

Receptacle H875KB for solderless exchange of probes

In combination with this receptacle switch probes can be exchanged solderless.

Solder temperature max. 300 °C.

Material: Brass, gold plated

Receptacle H875KB/5 for solderless exchange of probes

This receptacle is the same as H875KB, just with a collar of 5,0 mm for larger projection heights.
Solder temperature max. 300 °C.

Material: Brass, gold plated

Receptacle H875/5

This receptacle has a collar of 5,0 mm for larger projection heights.

Material: Brass, gold plated

Receptacle H875

Material: Brass, gold plated

Insulating sleeve H875IS

In combination with insulating sleeves it is possible to mount all H875 receptacles insulated into conductive material, e.g. steel. Because of the collar the projection height is increased by 0,2 mm.

The insulating sleeve can be used up to 260 °C.

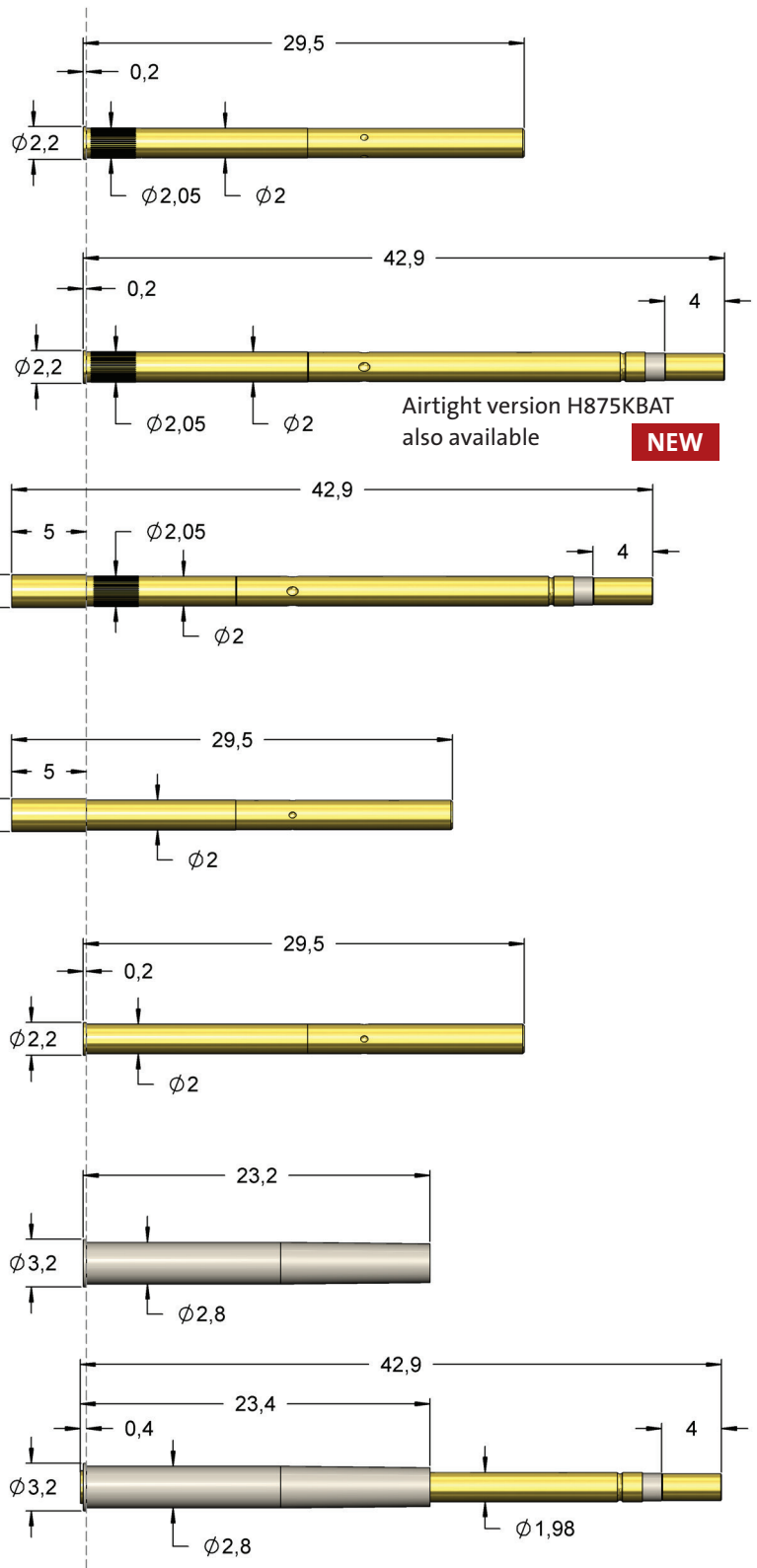
Material: Polyetheretherketone, PEEK

Insulating sleeve H875KBIS for solderless exchange of probes

In combination with insulating sleeves it is possible to mount all H875 receptacles insulated into conductive material, e.g. steel.

The insulating sleeve can be used up to 260 °C.

Material: Polyetheretherketone, PEEK



Drill Size (mm)

Receptacle without knurl	1,99 - 2,00
Receptacle with knurl	2,00 - 2,02
Insulating sleeve	2,78 - 2,79

**For inserting the receptacles the tool
FEWZ-772E0 can be used.**